



CITY OF SAN ANTONIO
Finance Department, Purchasing Division

FORMAL INVITATION FOR BID (“IFB”) NO.: 6100014555

PURCHASE OF LIGHT AND MEDIUM DUTY SERVICE VEHICLES

Date Issued: SEPTEMBER 24, 2021

BIDS MUST BE RECEIVED NO LATER THAN:
2:00 PM, CENTRAL TIME, OCTOBER 11, 2021

Bids may be submitted by any of the following means:

Electronic submission through the Portal

Bid submissions will only be accepted electronically

Bid Bond: None Performance Bond: None Payment Bond: None Other: None

See Supplemental Terms & Conditions for information on these requirements.

Affirmative Procurement Initiative: None DBE / ACDBE Requirements: None

See Instructions for Bidders and Attachments sections for more information on these requirements.

Pre-Submittal Conference * YES

***A Pre-Bid Conference is scheduled, for SEPTEMBER 30, 2021, at 10:00 a.m. Central Time.** The Pre-Bid Conference will be held via WebEx meeting. Prospective Respondents may join the WebEx using the following instructions:

WebEx Call-in: 1-415-655-0001

Meeting Number (Access Code): 2464 617 7277

Meeting Password: #

Staff Contact Person:

LD MCGARITY,
PROCUREMENT SPECIALIST II,
P.O. Box 839966,
San Antonio, TX 78283-3966.

Email: ld.mcgarity@sanantonio.gov

Phone Number: 210-207-2078

002 - TABLE OF CONTENTS

002 - TABLE OF CONTENTS..... 2

003 - INSTRUCTIONS FOR BIDDERS 3

004 - SPECIFICATIONS / SCOPE OF SERVICES 10

005 - SUPPLEMENTAL TERMS & CONDITIONS 15

006 - GENERAL TERMS & CONDITIONS 63

007 - SIGNATURE PAGE 70

008 - STANDARD DEFINITIONS 71

009 - ATTACHMENTS 73

003 - INSTRUCTIONS FOR BIDDERS

Submission of Bids.

Bid submissions will only be accepted electronically

Submission of Electronic Bids. Submit one bid electronically by the due date provided on the Cover Page. All times stated herein are Central Time. Any bid or modification received after the time and date stated on the Cover Page shall be rejected. All forms in this solicitation which require a signature must have a signature affixed thereto, either by manually signing the document, prior to scanning it and uploading it with your submission, or affixing it electronically.

Bids sent to City by facsimile or email shall be rejected.

Modified Bids. Bids may be modified provided such modifications are received prior to the time and date set for submission of bids, and submitted in the same manner as original bids "**electronically**". Electronic bids, a modified bid will automatically replace a prior bid submission. See below for information on submitting Alternate Bids.

City shall not be responsible for lost or misdirected bids or modifications.

Electronic bids, Bidder's electronic submission, with accompanying affirmations, constitutes a binding signature for all purposes.

Bidders are cautioned that they are responsible for the security of their log on ID and password, since unauthorized use could result in Bidder's being held liable for the submission.

Certified Vendor Registration Form. If Bidder has not completed City's Certified Vendor Registration (CVR) Form, Bidder is required to do so prior to the due date for submission of bids. The CVR form may be accessed at: <http://www.sanantonio.gov/purchasing/>. Bidders must identify the correct name of the entity that will be providing the goods and/or services under the contract. No nicknames, abbreviations (unless part of the legal title), shortened or short-hand names will be accepted in place of the full, true and correct legal name of the entity.

Alternate Bids. Alternate bids may be allowed at the sole discretion of City.

Electronic Alternate Bids Submitted Through the Portal. All alternate bids are recorded with original bids when submitted electronically.

Catalog Pricing. (This section applies to bids using catalog pricing.)

The bid will be based on manufacturer's latest dated price list(s). Said price list(s) must denote the manufacturer, latest effective date and price schedule.

Bidders shall be responsible for providing one copy of the manufacturer's catalog for each manufacturer for which a proposal is submitted. Respondent shall provide said catalog at the time of submission of its proposal. Manufacturers' catalogs may be submitted in any of the following formats: paper copy, flash drive, or CD ROM. Catalogs shall be mailed to the Finance Department, Purchasing Division, P.O. Box 839966, San Antonio, Texas 78283-3966 prior to bid opening. Bidder shall submit a PDF file for proposals submitted electronically.

Bidders may submit price lists other than the manufacturer's price list. Said price list(s) must denote the company name, effective date and price schedule. These price lists are subject to approval of City Finance Department - Purchasing Division.

Specified items identified herein, if any, are for overall bid evaluation and represent the commonly and most used items. Net prices entered for those specified items must reflect the actual price derived from quoted price list less all discounts offered.

Restrictions on Communication.

Bidders are prohibited from communicating with: 1) City officials, as defined by §2-62 of the City Code of the City of San Antonio, regarding the IFB or bids from the time the IFB has been released until the contract is posted for consideration as a City Council agenda item during a meeting designated as an "A" session; and 2) City employees from the time the IFB has been released until the contract is awarded. These restrictions extend to "thank you" letters,

phone calls, emails and any contact that results in the direct or indirect discussion of the IFB and/or bid submitted by Bidder. Violation of this provision by Bidder and/or its agent may lead to disqualification of Bidder's bid from consideration.

Exceptions to the restrictions on communication with City employees include:

Bidders may ask verbal questions concerning this IFB at the Pre-Submittal Conference.

Bidders may submit written questions, or objections to specifications, concerning this IFB to the Staff Contact Person listed on the Cover Page on or before 7 calendar days prior to the date bids are due. Questions received after the stated deadline will not be answered. Questions submitted and City's responses will be posted with this solicitation. All questions shall be sent by e-mail or through the portal.

Bidders may provide responses to questions asked of them by the Staff Contact Person after bids are received and opened. The Staff Contact Person may request clarification to assist in evaluating Bidder's response. The information provided is not intended to change the bid response in any fashion. Such additional information must be provided within two business days from City's request.

Bidders and/or their agents are encouraged to contact the Small Business Office of the International and Economic Development Department for assistance or clarification with issues specifically related to the City's Small Business Economic Development Advocacy (SBEDA) Program policy and/or completion of the SBEDA form(s), if any. The point of contact is identified on the Cover Page. Contacting the Small Business Office regarding this IFB after the bid due date is not permitted. If this solicitation contains Affirmative Procurement Initiatives, it will be noted on the Cover Page.

If this solicitation contains DBE/ACDBE requirements, bidders and/or their agents may contact the Aviation Department's DBE/ACDBE Liaison Officer for assistance or clarification with issues specifically related to the DBE/ACDBE policy and/or completion of the required form(s). Point of contact is Ms. Barbara Patton, who may be reached via telephone at (210) 207-3592 or through e-mail at Barbara.Patton@sanantonio.gov. Bidders and/or their agents may contact Ms. Patton at any time prior to the due date for submission of bids. Contacting her or her office regarding this IFB after the bid due date is not permitted. If this solicitation contains DBE/ACDBE requirements, it will be noted on the Cover Page.

Pre-Submittal Conference.

If a Pre-Submittal Conference is scheduled, it will be held at the time and place noted on the Cover Page. Bidders are encouraged to prepare and submit their questions in writing in advance of the Pre-Submittal Conference in order to expedite the proceedings.

Pre-Submittal Conference participation is optional, but highly encouraged.

Respondents who join the WebEx Pre-Bid Conference are highly encouraged to email the solicitation's point of contact person confirming Respondent attendance and participation through the WebEx.

Any oral response given at the Pre-Bid Conference that is not confirmed in writing and posted with this solicitation shall not be official or binding on the City.

To request an interpreter for the deaf or other assistance, call (210) 207-7245 Voice/TTY. Interpreters for the deaf must be requested at least 48 hours prior to the meeting.

Changes to IFB.

Changes to this IFB made prior to bid opening shall be made directly to the original IFB. Changes are captured by creating a replacement version each time the IFB is changed. It is Bidder's responsibility to check for new versions until the bid due date. City will assume that all bids received are based on the final version of the IFB as it exists on the day bids are due.

No oral statement of any person shall modify or otherwise change or affect the terms, conditions or specifications stated in the IFB.

Preparation of Bids.

All information required by the IFB must be furnished or the bid may be deemed non-responsive and rejected. Any ambiguity in the bid as a result of omission, error, unintelligible or illegible wording shall be construed in the favor of City.

Correct Legal Name. If Bidder is found to have incorrectly or incompletely stated the name of the entity that will provide goods and/or services, the bid may be rejected.

Line Item Bids. Any bid that is considered for award by each unit or line item, must include a price for each unit or line item for which Bidder wishes to be considered. All bids are awarded on the basis of low line item, low total line items, or in any other combination that serves the best interest of City, unless City designates this solicitation as an "all or none" bid in the Supplemental Terms & Conditions.

All or None Bids. Any bid that is considered for award on an "all or none" basis must include a price for all units or line items. In an "All or None" bid, a unit price left blank shall result in the bid being deemed nonresponsive and disqualified from consideration. An "All or None" bid is one in which City will award the entire contract to one bidder only.

Delivery Dates. Proposed delivery dates must be shown in the bid form where required and shall include weekends and holidays, unless specified otherwise in this IFB. Proposed delivery times must be specific. Phrases such as "as required", "as soon as possible" or "prompt" may result in disqualification of the bid. Special delivery instructions, if any, may be found in the Specifications / Scope of Services section of this document, or in the Purchase Order.

Tax Exemption. The City of San Antonio is exempt from payment of federal taxes, and State of Texas limited sales excise and use taxes. Bidders must not include such taxes in bid prices. An exemption certificate will be signed by City where applicable upon request by Bidder after contract award.

Description of Supplies.

Any brand names, catalog or manufacturer's reference used in describing an item is merely descriptive, and not restrictive, unless otherwise noted, and is used only to indicate quality and capability desired.

Bids submitted for comparable items must clearly identify the proposed product, model, and type, as applicable, and shall include manufacturer specification sheet(s) for each proposed item with bid response. Product specifications shall be the most current available and be sufficiently detailed and descriptive so as to permit City to determine the item's suitability and compliance with bid specifications. City shall be the sole judge of equality and suitability of comparable items.

Pro-rata adjustments to packaging and pricing may be allowed at the sole discretion of City.

Samples, Demonstrations and Pre-award Testing. If requested by City, Bidder shall provide product samples, demonstrations, and/or testing of items bid to ensure compliance with specifications prior to award of the contract. Samples, demonstrations and/or testing must be provided within 7 calendar days of City's request. Failure to comply with City's request may result in rejection of a bid. All samples (including return thereof), demonstrations, and/or testing shall be at Bidder's expense. Samples will be returned upon written request. Requests for return of samples must be made in writing at the time the samples are provided. Otherwise, samples will become property of City at no cost to City. Samples that are consumed or destroyed during demonstrations or testing will not be returned.

Estimated Quantities for Annual Contracts.

Designation as an "annual" contract is found in the contract's title on the Cover Page of this document. The quantities stated are estimates only and are in no way binding upon City. Estimated quantities are used for the purpose of evaluation. City may increase or decrease quantities as needed. Where a contract is awarded on a unit price basis, payment shall be based on the actual quantities supplied.

Bidders shall thoroughly examine the drawings, specifications, schedule(s), instructions and all other contract documents.

Bidders shall make all investigations necessary to thoroughly inform themselves regarding plant and facilities for delivery of material and equipment, or conditions and sites/locations for providing goods and services as required by this IFB. No plea of ignorance by Bidder will be accepted as a basis for varying the requirements of City or the compensation to Bidder.

Confidential or Proprietary Information. All bids become the property of the City upon receipt and will not be returned. Any information deemed to be confidential by Bidder should be clearly noted; however, City cannot guarantee that it will not be compelled to disclose all or part of any public record under the Texas Public Information Act, since information deemed to be confidential by Bidder may not be considered confidential under Texas law, or pursuant to a Court order. Note that pursuant to state law, bids are opened publicly and read aloud. In addition, bids are tabulated and posted to the City's website, so shall not be considered proprietary or confidential.

Interlocal Participation.

City may engage in cooperative purchasing with other governmental entities or governmental cooperatives ("Entity" or "Entities") to enhance City's purchasing power. At City's sole discretion and option, City may inform other Entities that they may acquire items listed in this IFB. If this contract will be subject to cooperative purchasing, such fact will be indicated in the Supplemental Terms and Conditions portion of this IFB. Such acquisition(s) shall be at the prices stated in the bid, and shall be subject to Bidder's acceptance. Entities desiring to acquire items listed in this IFB shall be listed on a rider attached hereto, if known at the time of issuance of the IFB. City may issue subsequent riders after contract award setting forth additional Entities desiring to utilize this bid.

Bidder must sign and submit the rider, if attached to this IFB, with its bid, indicating whether Bidder wishes to allow other Entities to use its bid. Bidder shall sign and return any subsequently issued riders within ten calendar days of receipt. Bidder's decision on whether to allow other Entities to use the bid shall not be a factor in awarding this IFB.

Costs of Bidding. Bidder shall bear any and all costs that are associated with the preparation of the Bid, attendance at the Pre-Submittal Conference, if any, or during any phase of the selection process.

Rejection of Bids.

City may reject any and all bids, in whole or in part, cancel the IFB and reissue the solicitation. City may reject a bid if:

Bidder misstates or conceals any material fact in the bid; or

The bid does not strictly conform to law or the requirements of the solicitation;

The bid is conditional; or

Any other reason that would lead City to believe that the bid is non-responsive or Bidder is not responsible.

City, in its sole discretion, may also waive any minor informalities or irregularities in any bid, such as failure to submit sufficient bid copies, failure to submit literature or similar attachments, or business affiliation information.

Variances and Exceptions to Bid Terms. In order to comply with State law, bidders must submit bids on the same material terms and conditions. Bids that contain material variances or exceptions to the terms and conditions, including additional terms and conditions, will be rejected.

Changes to Bid Form. Bids must be submitted on the forms furnished. Bids that change the format or content of City's IFB will be rejected.

Withdrawal of Bids. Bids may be withdrawn prior to the time set for the bid opening. Bids submitted electronically may be withdrawn electronically.

Bid Opening. Bids will be publicly read aloud online through WebEx at 2:30 p.m. central time on the day the bids are due.

Join by phone:

415-655-0001 (Toll-free Dial-In)

Meeting number (access code): 177 587 8554

Meeting password: COSA

Evaluation and Award of Contract.

Per Section §252.043 of the Texas Local Government Code, the contract will be awarded to the lowest responsible bidder. The Purchasing Division evaluates bids for responsiveness and the responsibility of the bidder, and makes a recommendation to the City Council. The City Council makes the final determination regarding award.

City reserves the right to make an award on the basis of low line item, low total line items, or in any other combination that serves the best interest of City, unless City designates this solicitation as an "all or none" bid in the Supplemental Terms & Conditions.

A written award of acceptance (manifested by a City Ordinance) and Purchase Order furnished to Bidder results in a binding contract without further action by either party. Vendor must have the Purchase Order before making any delivery.

City reserves the right to utilize historical usage data as a basis for evaluation of bids when future usages are unable to be determined.

Breaking of tie bids shall be in accordance with the Texas Local Government Code §271.901.

City reserves the right to delete items prior to the awarding of the contract, and purchase said items by other means.

Inspection of Facilities/Equipment.

Depending on the nature of the IFB, Bidders' facilities and equipment may be a determining factor in making the bid award. All bidders may be subject to inspection of their facilities and equipment.

Prospective bidders must prove beyond any doubt to City Purchasing Administrator that they are qualified and capable of performing the contract's requirements.

Prompt Payment Discount.

Provided Bidder meets the requirements stated herein, City shall take Bidder's offered prompt payment discount into consideration. The evaluation will not be based on the discount percentage alone, but rather the net price as determined by applying the discount to the bid price, either per line item or total bid amount. However, City reserves the right to reject a discount if the percentage is too low to be of value to City, all things considered. City may also reject a discount if the percentage is so high as to create an overly large disparity between the price City would pay if it is able to take advantage of the discount and the price City would pay if it were unable to pay within the discount period. City may always reject the discount and pay within the 30 day period, at City's sole option.

City will not consider discounts that provide fewer than 10 days to pay in order to receive the discount.

For example, payment terms of 2% 5, Net 30 will NOT be considered in bid evaluations or in the payment of invoices. However, payment terms of 2% 10, Net 30 will result in a two percent reduction in the bid price during bid evaluation, and City will take the 2% discount if the invoice is paid within the 10 day time period.

Tabulations. The Purchasing Division will post preliminary tabulations within 7 days of the advertised bid opening. The information on these tabulations will be posted for informational purposes only, and will be posted as read during the bid opening. This tabulation is not a notice of award of the contract. All bids are subject to review for completeness, accuracy and compliance with the terms set forth in the bid documents.

Bid Protest Procedures.

Any bidder who is adversely affected in connection with the solicitation, evaluation, or proposed award of a contract may file a protest with the Director and appeal any adverse decision to the City Manager of the City of San Antonio.

Bidder must deliver a written notice of protest to the Director within 7 calendar days of the posting of the intent to award. If Bidder does not file a written notice within this time, Bidder will have waived all rights to formally protest the intent to award. It is Bidder's responsibility to check the City's website posting.

Debriefing. Debriefing of contract award is available upon request and after award of the Contract.

Prohibited Financial Interest. The Charter of the City of San Antonio and the City of San Antonio Code of Ethics prohibit a City officer or employee, as those terms are defined in §2-52 of the Code of Ethics, from having a direct or indirect financial interest in any contract with City. An officer or employee has a "prohibited financial interest" in a contract with City or in the sale to City of land materials, supplies or service, if any of the following individual(s) or entities is a party to the contract or sale:

- a City officer or employee; his or her spouse, sibling, parent, child or other family member within the first degree of consanguinity or affinity;
- an entity in which the officer or employee, or his or her parent, child or spouse directly or indirectly owns (i) 10% or more of the voting stock or shares of the entity, or 10% or more of the fair market value of the entity; or
- an entity in which any individual or entity listed above is (i) a subcontractor on a City contract, (ii) a partner or (iii) a parent or subsidiary entity.

By submitting a bid, Bidder warrants and certifies, and a contract awarded pursuant to this IFB is made in reliance thereon, that it, its officers, employees and agents are neither officers nor employees of the City.

Unfair Advancement of Private Interests. Pricing and discounts contained in this contract are for use by City departments conducting City business. City employees may not use their positions to obtain special treatment or prices that are not available to the general public.

State of Texas Conflict of Interest:

Questionnaire (Form CIQ). Chapter 176 of the Texas Local Government Code requires that persons, or their agents, who seek to contract for the sale or purchase of property, goods, or services with the City, shall file a completed Form CIQ with the City Clerk if those persons meet the requirements under 176.006(a) of the statute.

By law this questionnaire must be filed with the City Clerk not later than the 7th business day after the date the vendor becomes aware of facts that require the statement to be filed. See Section 176.006(a-1), Texas Local Government Code.

Form CIQ is available from the Texas Ethics Commission by accessing the following web address:

<https://ethics.state.tx.us/forms/conflict/>

In addition, please complete the **City's Addendum to Form CIQ (Form CIQ-A)** and submit it with Form CIQ to the Office of the City Clerk. The Form CIQ-A can be found at:

<http://www.sanantonio.gov/atty/ethics/pdf/OCC-CIQ-Addendum.pdf>

When completed, the CIQ Form and the CIQ-A Form should be submitted together by mail to the Office of the City Clerk. Please mail to:

Office of the City Clerk, P.O. Box 839966, San Antonio, TX 78283-3966.

Do not include these forms with your sealed bid. The Purchasing Division will not deliver the forms to the City Clerk for you.

CERTIFICATE OF INTERESTED PARTIES (FORM 1295)

The Texas Government Code §2252.908, and the rules issued by the Texas Ethics Commission found in Title 1, Chapter 46 of the Texas Administrative Code, require a business entity to submit a completed Form 1295 to the City before the City may enter into a contract with that business entity.

Form 1295 must be completed online. It is available from the Texas Ethics Commission by accessing the following web address:

https://www.ethics.state.tx.us/whatsnew/elf_info_form1295.htm.

Print and sign your completed Form 1295. Submit your signed Form 1295 with your response to this solicitation. Where requested to provide the name of the public entity with whom you are contracting, insert “City of San Antonio”. Where requested to provide the contract number, provide the solicitation number shown on the cover page of this solicitation (e.g. IFB 6100001234, RFO 6100001234 or RFCSP 6100001234).

The following definitions found in the statute and Texas Ethics Commission rules may be helpful in completing Form 1295.

“Business entity” includes an entity through which business is conducted with a governmental entity or state agency, regardless of whether the entity is a for-profit or nonprofit entity. The term does not include a governmental entity or state agency. (NOTE: The City of San Antonio should never be listed as the “Business entity”.)

“Controlling interest” means: (1) an ownership interest or participating interest in a business entity by virtue of units, percentage, shares, stock, or otherwise that exceeds 10 percent; (2) membership on the board of directors or other governing body of a business entity of which the board or other governing body is composed of not more than 10 members; or (3) service as an officer of a business entity that has four or fewer officers, or service as one of the four officers most highly compensated by a business entity that has more than four officers. Subsection (3) of this section does not apply to an officer of a publicly held business entity or its wholly owned subsidiaries.

“Interested party” means: (1) a person who has a controlling interest in a business entity with whom a governmental entity or state agency contracts; or (2) an intermediary.

“Intermediary,” for purposes of this rule, means a person who actively participates in the facilitation of the contract or negotiating the contract, including a broker, adviser, attorney, or representative of or agent for the business entity who:

- (1) receives compensation from the business entity for the person’s participation;
- (2) communicates directly with the governmental entity or state agency on behalf of the business entity regarding the contract; and
- (3) is not an employee of the business entity or of an entity with a controlling interest in the business entity.

Publicly traded business entities, including their wholly owned subsidiaries, are exempt from this requirement and are not required to submit Form 1295.

004 - SPECIFICATIONS / SCOPE OF SERVICES

4.1 SCOPE: The City of San Antonio is soliciting bids to obtain 99 vehicles for the City's Light and Medium Duty Service Vehicles that shall be ordered upon award.

Item	Description	QTY
1	Compact Hybrid Sedan - Replacing #821413, 822911, 5505, 6218, 662711, 663917, 6643, 822611, 827816, and 833912.	10
2	7 Passenger Mini Van with Curb and Street Side Doors - Replacing #615516, 205816, 252015, 619816, 680719 and One Addition	6
3	7 Passenger Mini Van with Curb Side Door - Replacing #043013	1
4	7 Passenger Mini Van with Germ Barrier - Six Additions	6
5	Mini Cargo Vans w/Shelving and Ladder Rack - Replacing #550519, 058212, 0492, 0475, 0477, 0092, and 049612	7
6	Full Size Cargo Van w/ Shelving and Ladder Rack - Replacing #2152, 263713, 2935, 049512, 2141, 226714, 2603, and 286312	8
7	Sport Utility Vehicle - High Curb Clearance - Two Additions	2
8	Large Sport Utility Vehicle – 3 Row Seating - Replacing #333315	1
9	½ Ton Extended Cab 4x2/RWD Truck w/Strobes - (24) Additions	24
10	¾ Ton Extended Cab 4x4/AWD, Long Bed, Truck with Accessories - Replacing #0550-RO	1
11	1/2 Ton, Crew CAB, 4x4/AWD Short Bed Truck w/ Responder Upfitting -Replacing #802412, 820713, and 827411	3
12	¾ Ton Truck, Crew Cab, 4x4/AWD, Long Bed Truck with Camper - Replacing #8264	1
13	1 Ton Extended Cab Pick Up, Long Bed, SRW, OEM Color – Replacing #6314	1
14	¾ Ton Extended Cab 4x2/RWD Truck, Gasoline, dark color - Replacing #6346	1
15	Medium Duty, Crew Cab, 15ft Stake/Flat Bed Truck – Replacing #1974	1
16	1 Ton Truck, Regular Cab, Diesel, 4X4/AWD, Long Bed, SRW - Replacing #078913	1
17	1 Ton Truck, Crew Cab, Diesel, 4X4/AWD, Long Bed, SRW -Replacing #084313 and 085113	2
18	1 Ton Truck, Crew Cab, Diesel, 4X2/RWD, Long Bed, DRW - Replacing 044812	1
19	1 Ton Truck, Regular Cab, Diesel, DRW - (1) Addition	1
20	¾ Ton Diesel Pick Up Dump Bed Insert w/Crane - Replacing #416417	1
21	1 Ton Truck, Crew Cab, Diesel, 4x2/RWD, Custom Flat Bed, DWR - Replacing #1356	1
22	1 Ton Single Cab Pick Up, Long Bed, with Refuse Insert (Turnkey Unit) – (1) Fleet Addition	1
23	1 Ton Regular Cab Truck, Diesel - DRW with Traffic Utility Storage -Replacing # 037211 and 224112.	2
24	¾ Ton Regular Cab, Flatbed Truck with Vector Control Attachments - Replacing # 1532	1
25	¾ Ton Regular Cab Utility Service Truck w/ Tow Hitch - Replacing #056612, 127112, and 146412.	3
26	Crew Cab 4x2 Custom Bed Truck – Dual Rear Wheel (DRW) - Replacing #276612	1
27	1 Ton 4 Door Cab 4x2 Stake Bed Truck – Dual Rear Wheels - Replacing# 117016	1
28	Class 4 14,001-16,000 GVW Cabover 14' Box Truck – (1) Addition	1
29	Medium Duty, Regular Cab, 16.5ft Stake/Flat Bed Truck – Replacing #1538	1
30	1 Ton Truck, Crew Cab, DRW, 2-3 Cubic Yard, 9' Dump Body – Replacing #184813	1
31	¾ Ton, Crew Cab, SRW, AWD, Long Bed Truck w/ Camper – Replacing #1789	1
32	¾ Ton, Crew Cab Utility Service Truck w/ Tow Hitch, Yellow – Replacing #1938	1
33	¾ Ton Truck, Crew Cab, Diesel, 4X2/RWD, Long Bed, SRW, Yellow- Replacing #1907, #1964 and #1867	3
34	½ Ton Extended Cab 4x2/RWD Truck, Yellow – Replacing #1985	1
35	¾ Ton Crew Cab Truck 4x4/AWD Long Bed, Lift Gate, Brush Guard – Replacing #1901	1

4.2 GENERAL CONDITIONS: The following general conditions will apply to all items within this bid unless specifically excluded within any item.

4.2.1 City of San Antonio reserves the right to increase or decrease quantity of vehicles being purchased up to the manufacturer's production "cut-off" date for the particular item, depending on availability of funds. Prices may not be increased during this period; however, the City should benefit from any price decrease. Additional units may be purchased on an "as needed" basis. Successful vendor is required to notify the City of all production "cut-off" dates necessary for order submission. Vehicles are to be year model 2021 or newer.

4.2.2 All components shall be installed new, unused, standard production model, and equipment is to be serviced in accordance with manufacturer's recommended pre-delivery check list, and ready for operation upon delivery, and shall include all manufacturers' standard equipment unless otherwise specified or replaced herein. Equipment offered under the below listed specifications will be considered unacceptable if for any reason its long term availability on the U.S. Market or in the local area is in doubt.

4.2.3 Warranty and Parts – The maximum standard manufacturer's warranty on all components parts and service must be included. All components, parts, and service are required to provide, as a minimum, a 1 year warranty or minimum 36,000 mile warranty. **All warranty times will start the date the vehicle is placed in service, not on the delivery date.** The dealer will be notified by letter of the in-service date of each vehicle by serial number. Vendor will fully explain the warranty by attaching separate, authenticated correspondence or entering such information in the remarks section of this bid. Warranty, reliability, and replacement captive parts costs and availability shall be a consideration in award of this bid. Warranty parts and service must be available within a 50 mile radius of San Antonio City Hall and by a factory-authorized dealer identified on the Price Schedule page (NO EXCEPTIONS). All warranty repairs must be completed within 3 days from the date equipment is delivered to the vendor unless otherwise approved by the appropriate City of San Antonio maintenance superintendent. By submitting an offer, Vendors certifies that all repairs needed after the warranty period will be available within 50 mile radius of San Antonio City Hall.

4.2.4 Delivery: All deliveries are to be made inside the City limits of San Antonio. Vendor must deliver vehicles to the following address:

City of San Antonio,
Southeast Service Center,
Building 6, Gate 5
San Antonio, TX 78220
Attn: Acquisitions

Delivery to a non-specified location will result in non-acceptance of the vehicles by the City. All deliveries must be pre-arranged with a minimum 24-hour notification, NO EXCEPTIONS. Vehicles will be accepted 8:00 A.M. to 3:00 P.M. central time. Vehicles with more than 100 miles accumulated on the odometer will not be accepted. All vehicles are required to have a full tank(s) when delivered to City specified location.

4.2.5 Literature and Equipment Manuals: The supplier shall furnish (4) complete sets per vehicle type, of the following: Parts Manual, Maintenance Manual, Service Manual, Operators Manual , **USB drive** or access to on-line/real time for parts, maintenance service and operations per model of all equipment, accessories, and components. The supplier shall furnish (4) complete sets of detailed literature and specifications or access to on-line/real time literature and specifications of each vehicle type upon contract award.

4.2.6 The Manufacturer's Statement of Origin (MSO), Dealer Temporary license plates/tags, proper Invoice, signed 130U form are required upon delivery of each unit and are required before payment can be processed. Any of these missing items will delay the payment process.

4.2.7 All vehicles are to be equipped at the factory with air conditioning, Heater, defroster, (maximum capacity engine cooling system offered by manufacturer), full headliner, minimum OEM AM/FM radio, power steering, power ABS brakes, power windows, power door locks, power mirrors and manual tilt steering wheel. Each unit shall have a **minimum of three (3) sets of keys unless, vehicle utilizes a push button ignition system then a minimum of three (3) keyless remotes (fobs) are required.**

4.2.8 Vendor will install all bodies and components in accordance with the appropriate complete Vehicle Data Manual. Vendor will post certification of compliance on the left door post of the vehicle. Except for manufacturer's data plates (maximum 4" x 6"), vendor will not apply vendors or the manufacturer's identifying markings (decals and plates) to the vehicle or mounted components. Vendor will complete installation in compliance with Federal Motor Vehicle Department of Transportation Standards and Texas State Highway requirements. Vendor will install the

body and accessories on City furnished vehicles by drilling holes in the frame. Welding on or cutting of the frame is not authorized forward of the rear spring hanger or support. Bidders will be responsible for the relocation of any truck components to facilitate installation of the body and equipment. Such relocation must be included as part of the basic bid. No dealership nameplates, markings or decals will be permitted on the vehicles.

4.2.9 All units to be equipped with safety equipment as required by the Federal Government.

4.2.10 No dealership nameplates, markings or decals will be permitted on the vehicles.

4.2.11 VEHICLE INSPECTION: The vendor shall have each vehicle properly inspected in compliance with Texas motor vehicle laws. Texas Inspection Certificate shall accompany the vehicle when delivered to the receiving entity of the City of San Antonio.

4.2.12 Any diesel engine being bid must conform to latest NOx EPA and GHG emission standard in effect at the time of offer. Vendor must supply a copy of the latest Emissions Certificate of Conformity for the vehicles bid. Only engines using selective catalytic reduction (SCR) technology will be accepted.

4.2.13 All units shall be equipped with safety equipment as required by the Federal Government and shall MEET ALL SAFETY STANDARDS AND REQUIREMENTS.

4.2.14 SILENCE OR ERROR OF SPECIFICATIONS: The apparent omission or error of specification as to any detailed description concerning any point shall be regarded as meaning that only the best commercial practice is to prevail and only the material and workmanship of the first quality are to be used. Proof of specification compliance will be the responsibility of the awarded respondent.

4.3	ITEM	QUANTITY	DESCRIPTION
	1	10	Compact Hybrid Sedan

4.3.1 ENGINE: Minimum gasoline-battery hybrid engine, able to deliver a minimum 120 HP.

4.3.2 GVWR: Minimum 3010 lbs.

4.3.3 TRANSMISSION: Automatic transmission; minimum 5 speed with overdrive; Continuously Variable Transmission (CVT) preferred.

4.3.4 FUEL SYSTEM: Minimum 10-gallon tank capacity certified to run on 87 octane gasoline. Fuel system shall be a combination of gasoline and hybrid electric power.

4.3.5 WHEELS & TIRES: Tires shall meet or exceed the minimum gross vehicle weight rating of the vehicle and shall be an all-season tread design.

4.3.6 BRAKES: Unit shall be equipped with 4 wheeled disc brake system and 4 wheel ABS.

4.3.7 STEERING: Unit shall be power steering equipped.

4.3.8 SUSPENSION: Unit shall be equipped with the heaviest duty suspension available on model being submitted.

4.3.9 WHEELBASE: Minimum 106" (inch) wheelbase.

4.3.10 SEATING CAPACITY: Driver and front passenger bucket seating and one rear bench seat with applicable seat belts. Seating shall be dark color cloth.

4.3.11 INSTRUMENTATION: Multi-function display includes digital speedometer, fuel gauge, odometer, and dual trip meters.

4.3.12 SAFETY: Unit shall be equipped with a back-up camera and back up sensors. Back up sensors must provide increasing audible detection alarm in cab as unit moves closer towards stationary objects. Unit shall be equipped with hand free calling feature.

4.3.13 ACCEPTABLE MODEL: Toyota Prius or approved equal.

4.3.14 MISCELLANEOUS: These compact hybrid sedans will be added to inventory pending assignment from #821413 and #822911 replacement, immediately upon award. The following 8 vehicles have funding appropriation planned in FY 2022 to replace #5505, #6218, #662711, #663917, #6643, #822611, #827816, and #833912.

4.4	ITEM	QUANTITY	DESCRIPTION
	2	6	7 Passenger Mini Van with Curb and Street Side Doors

- 4.4.1 ENGINE:** Gasoline powered engine that has a minimum 4 cylinders and produces a minimum of 150 HP.
- 4.4.2 TRANSMISSION/ DRIVE:** Rear Wheel Drive (RWD) Automatic transmission or Front Wheel Drive (FWD) automatic transmission, both shall be accepted; minimum 5- speed with overdrive; power steering equipped.
- 4.4.3 SUSPENSION:** Heaviest duty suspension available shall be provided.
- 4.4.4 BRAKES:** Equipped with 4-wheeled disc brake system and 4-wheeled ABS.
- 4.4.5 WHEELBASE:** Minimum 120" inches with manufacturer's regular body length.
- 4.4.6 WHEELS & TIRES:** Tires shall meet or exceed the minimum gross vehicle weight rating of vehicle and shall be an all-season tread design. Wheels shall have a retail appearance will hub cap and not appear it is a fleet vehicle.
- 4.4.7 FUEL SYSTEM:** Minimum 15-gallon tank capacity certified to run on 87 octane gasoline.
- 4.4.8 REAR PASSENGER DOORS:** Vehicle shall be equipped with a street side and curbside door with windows to load passengers. Door maybe double swing type or sliding door, both shall be accepted.
- 4.4.9 REAR CARGO DOOR:** Rear cargo door shall be a double swing type or lift gate type with windows. Both shall be accepted.
- 4.4.14 ROOF:** vehicle shall be equipped with a standard roof.
- 4.4.11 MIRRORS:** OEM standard type inside. Power mirrors outside, left and right, collapsible, below eye level type. Outside mirror shall have an adjustable convex mirror installed below the standard mirror. Largest size available offered with model. Mirror to be remote controlled from driver.
- 4.4.12 SEATING:** Vehicle shall be supplied with cloth seating and shall accommodate 7 passengers. Rear seats shall be bench seats.
- 4.4.13 AIR CONDITIONER:** Van shall be equipped with front and rear HVAC system. Climate controls shall be easily accessible by driver.
- 4.4.14 SAFETY:** Unit shall be equipped with a backup camera and backup sensors. Back up sensors must provide an audible alarm in cab as unit moves closer towards stationary objects.
- 4.4.15 COLOR:** Van may be mixed colors of beige, silver, black, dark blue, and dark grey; NOT WHITE.
- 4.4.16 MISCELLANEOUS:** This van will be an addition to the San Antonio Police Department HIDTA unit and replace vehicles #205816, #252015, #615516, #619816, and #680719.
- 4.4.17 LICENSE PLATE:** Vehicle is required to be supplied with a regular-exempt license plate that is reserved for police vehicles by the Texas DMV.

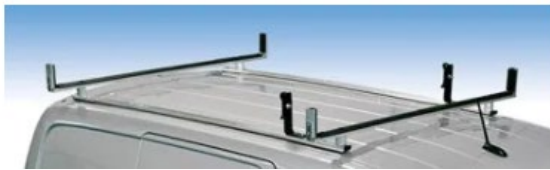
4.5	ITEM	QUANTITY	DESCRIPTION
	3	1	7 Passenger Mini Van with Curb Side Door

4.5.1 ENGINE: Gasoline powered engine that has a minimum 4 cylinders and produces a minimum of 150 HP.

- 4.5.8 **TRANSMISSION/ DRIVE:** Rear Wheel Drive (RWD) Automatic transmission or Front Wheel Drive (FWD) automatic transmission, both shall be accepted; minimum 5- speed with overdrive; power steering equipped.
- 4.5.3 **SUSPENSION:** Heaviest duty suspension available shall be provided.
- 4.5.4 **BRAKES:** Equipped with 4-wheeled disc brake system and 4-wheeled ABS.
- 4.5.5 **WHEELBASE:** Minimum 120" inches with manufacturer's regular body length.
- 4.5.6 **WHEELS & TIRES:** Tires shall meet or exceed the minimum gross vehicle weight rating of vehicle and shall be an all season tread design.
- 4.5.7 **FUEL SYSTEM:** Minimum 15 gallon tank capacity certified to run on 87 octane gasoline.
- 4.5.8 **REAR PASSENGER DOOR:** Vehicle shall be equipped with a curbside door with windows to load passengers. Door shall be double swing type or sliding door, both shall be accepted.
- 4.5.9 **REAR CARGO DOOR:** Rear cargo door shall be a double swing type or lift gate type with windows. Both shall be accepted.
- 4.5.10 **ROOF:** vehicle shall be equipped with a standard roof.
- 4.5.11 **MIRRORS:** OEM standard type inside. Power mirrors outside, left and right, collapsible, below eye level type. Outside mirror shall have an adjustable convex mirror installed below the standard mirror. Largest size available offered with model. Mirror to be remote controlled from driver.
- 4.5.12 **SEATING:** Vehicle shall be supplied with dark vinyl seating and shall accommodate 7 passengers. Rear seats shall be bench seats.
- 4.5.13 **AIR CONDITIONER:** Van shall be equipped with front and rear HVAC system. Climate controls shall be easily accessible by driver.
- 4.5.14 **SAFETY:** Unit shall be equipped with a backup camera and backup sensors. Back up sensors must provide an audible alarm in cab as unit moves closer towards stationary objects.
- 4.5.15 **MISCELLANEOUS:** This van will replace #043013 Dodge Grand Caravan.

4.6	ITEM	QUANTITY	DESCRIPTION
	4	6	7 Passenger Mini Van with Germ Barrier

- 4.6.1 **ENGINE:** Gasoline powered engine that has a minimum 4 cylinders and produces a minimum of 150 HP.
- 4.6.2 **TRANSMISSION/ DRIVE:** Rear Wheel Drive (RWD) Automatic transmission or Front Wheel Drive (FWD) automatic transmission, both shall be accepted; minimum 5- speed with overdrive; power steering equipped.
- 4.6.3 **SUSPENSION:** Heaviest duty suspension available shall be provided.
- 4.6.4 **BRAKES:** Equipped with 4-wheeled disc brake system and 4-wheeled ABS.
- 4.6.5 **WHEELBASE:** Minimum 120" inches with manufacturer's regular body length.
- 4.6.6 **WHEELS & TIRES:** Tires shall meet or exceed the minimum gross vehicle weight rating of vehicle and shall be an all season tread design.
- 4.6.7 **FUEL SYSTEM:** Minimum 15 gallon tank capacity certified to run on 87 octane gasoline.
- 4.6.8 **REAR PASSENGER DOOR:** Vehicle shall be equipped with a curbside door with windows to load passengers. Door shall be double swing type or sliding door, both shall be accepted.



4.7.14 MISCELLANEOUS: These vans will replace Building & Equipment Services #0492, #058212 and #500519. Vans will replace Building & Equipment Services vans #0475, #0477, #0092, and #049612 in FY 2022.

- | 4.8 | ITEM | QUANTITY | DESCRIPTION |
|-----|------|----------|---|
| | 6 | 8 | Full Size Cargo Van w/ Shelving and Ladder Rack |
- 4.8.1 **ENGINE:** Minimum 6 cylinder able to deliver a minimum 300 HP.
 - 4.8.2 **GVWR:** Minimum 9,000 lbs.
 - 4.8.3 **TRANSMISSION/ DRIVE:** Automatic transmission; minimum 4 speed with overdrive; Power Steering.
 - 4.8.4 **SUSPENSION:** Heaviest Duty available.
 - 4.8.5 **BRAKES:** Equipped with 4-wheel brake system and front vented discs minimum.
 - 4.8.6 **WHEELBASE:** Wheelbase must be a minimum 135" inches.
 - 4.8.7 **WHEELS & TIRES:** Tires must meet or exceed minimum gross vehicle weight rating of vehicle and be an all season design.
 - 4.8.8 **FUEL SYSTEM:** Minimum 20-gallon tank capacity and certified to run 87 octane gasoline.
 - 4.8.9 **DOORS, WINDOWS, & MIRRORS:** Units to be equipped with power driver and passenger mirrors, and automatic door locks all around. Driver and passenger shall be furnished with standard rear view mirrors and equipped with a partial convex mirror for added visibility.
 - 4.8.10 **TOWING:** Van shall be equipped to provide a frame mounted Class III hitch, receiver, and locking pin with key. Unit shall be equipped with a 7 way round flat pin RV style connector. Unit shall be capable of towing no less than 6500lbs.
 - 4.8.11 **ROOF:** Vans need to a lowest roof option where possible. (Some older parking garages cannot fit the medium or high roof van option.)
 - 4.8.12 **SAFETY:** Units must be equipped with a backup alarm and backup camera.

4.8.13 COMMERCIAL SERVICE PACKAGE SPECIFICATIONS

4.8.13.1 BULKHEAD: Unit will be equipped with bulkhead cage/steel partition separator design from the cargo space and driver space.

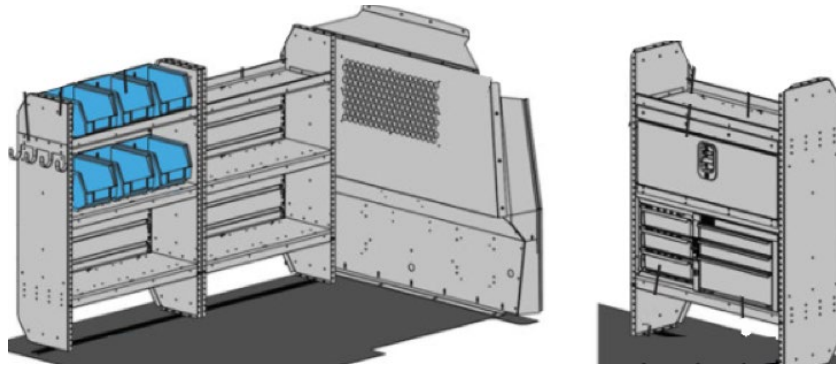
4.8.13.2 SHELVING & STORAGE: Unit shall come equipped with the following items mounted at the rear of the unit. Both doors are to open in order for shelving to slide out. Unit will function as a traveling storage unit:

4.8.13.2.1 Two (2) Adjustable Shelving Units to be installed side by side. Each to have three (3) shelves.

4.8.13.2.2 One (1) Fixed Shelving Unit with one lockable door and (6) drawers with easy glide openings.

4.8.13.2.3 Six (6) bins minimum for small items.

4.8.13.2.4 The Adrian Steel Electrical Contractor Standard Package, or equivalent.



4.8.13.3 LADDER RACK: Vehicle shall come equipped with a single roof top-drop down ladder rack. Ladder is required to be ergonomic, and crash tested. The Ranger Design brand is acceptable. Other brands will be considered provided they are ergonomic and crash tested.

4.8.14 MISCELLANEOUS: These specifications will replace vehicles 263713, 2152, and 2935 for Parks & Recreation Trades. Vehicle to be replaced in FY 2022 is #049512 for BES Facility Services, and #2141, #226714, #2603 and #286312 for Parks & Recreation.

4.9	ITEM	QUANTITY	DESCRIPTION
	7	2	Sport Utility Vehicle - High Curb Clearance
4.9.1	ENGINE:		Gasoline powered engine with a minimum 4 cylinders that is able to deliver a minimum 210 HP.
4.9.2	GVWR:		Shall not exceed 7,999 lbs.
4.9.3	TRANSMISSION/ DRIVE:		Automatic transmission with overdrive; 6 speed minimum.
4.9.4	SUSPENSION:		Heaviest Duty available to include heavy duty shock absorbers, independent struts with stabilization.
4.9.5	BRAKES:		Equipped with a 4-wheel disc brakes with standard anti-lock braking system.
4.9.6	WHEELBASE:		Wheelbase must be a minimum 116" inches.
4.9.7	WHEELS & TIRES:		Tires must meet or exceed the minimum gross vehicle weight rating of the vehicle and be an all season design. A tire pressure monitoring system is required.

- 4.9.8 FUEL SYSTEM:** Minimum 22.5 gallon tank capacity and certified to run 87 octane gasoline.
- 4.9.9 SEATING:** Vehicle shall be supplied with dark cloth seating; vinyl seating preferred.
- 4.9.10 BODY:** 4 door hard top SUV is required.
- 4.9.11 GROUND CLEARANCE:** Vehicle is required to jump curbs and drive off road with some frequency. Requiring a minimum 9" ground clearance minimum to prevent damaging under carriage. Front bumper/spoiler must also be a minimum of 9" from the ground.
- 4.9.12 SAFETY:** Vehicle must be equipped with a backup camera and backup sensors. Back up sensors must provide increasing audible detection alarm in cab as unit moves closer towards stationary objects. Said systems may be OEM or aftermarket.
- 4.9.13 LIGHTING:** Amber colored LED strobe surface mounted lights to be installed, two front grill and two rear panel of body. Controls for the strobe lights shall be mounted under the driver side dashboard. Lighting shall be visible when flashing per Texas Transportation Code 547.001 – 547.383 which shall be "clearly visible from all directions".
- 4.9.14 MISCELLANEOUS:** These SUVs will be an addition for the Department of Human Services.

4.10	ITEM	QUANTITY	DESCRIPTION
	8	1 Each	Large Sport Utility Vehicle – 3 Row Seating

SPECIFICATIONS:

- 4.10.1 Engine:** Minimum 5.3 liter V8 with active fuel management, direct injection, and variable valve timing. Minimum 25 gallon tank.
- 4.10.2 Transmission:** six speed automatic transmission. Transfer case two speed electronic control.
- 4.10.3** Factory installed fresh air type heater, defroster, and air conditioning front and rear. Factory installed minimum AM / FM radio with CD/DVD player, navigation system and clock. LT preferred equipment group.
- 4.10.4** Windshield washer with multi-speed intermittent electric windshield wipers.
- 4.10.5** Left and right door arm rests.
- 4.10.6** Power windows and locks.
- 4.10.7 Color:** Exterior Solid Black, interior black or gray leather seats, black interior.
- 4.10.8 Seating:** Front bucket with perforated leather-appointed heated and ventilated seat cushions. Second row 60/40 split folding bench, power release, and third row fold down.
- 4.10.9** Standard 20" wheels and tires. Wheels polished aluminum. With running boards for easy access of vehicle.
- 4.10.10** Dry type air cleaner.
- 4.10.11** Spin on type engine oil filter.
- 4.10.12** Factory installed tinted glass.
- 4.10.13 Drivetrain:** 2 Wheel Drive
- 4.10.14** Anti-lock brake system to be latest production heavy duty, largest available, minimum disc front, Rear Disc with Vacuum Boost Power Assist or proven equal.

- 4.10.15 Maximum duty radiator system including radiator shroud and a maximum heavy-duty fan with clutch or dual electric fans and coolant recovery system.
- 4.10.16 Power steering.
- 4.10.17 Front and rear floor mats.
- 4.10.18 Suspension system to include heavy duty springs, front and rear, in combination with heavy duty shock absorbers, and front and rear heavy duty stabilizer bars.
- 4.10.19 Speedometer and odometer.
- 4.10.20 Maximum heavy duty alternator (radio suppressed).
- 4.10.21 Heavy duty, largest available battery.
- 4.10.22 Instrument package to include water temperature, oil pressure, and volt or ammeter gauges.
- 4.10.23 Rear axle to be positive traction, limited slip differential.
- 4.10.24 Theft deterrent alarm system.
- 4.10.25 **Acceptable Model: 2021 or newer Chevrolet Tahoe LT**
- 4.10.26 **MISCELLANEOUS:** This shall replace #333315.

4.11	ITEM	QUANTITY	DESCRIPTION
	9	24	½ Ton Extended Cab 4x2/RWD Truck w/Strobes
4.11.1	ENGINE: Gas powered engine capable of producing a minimum 285 HP.		
4.11.2	GVWR: Minimum 6,000 lbs.		
4.11.3	TRANSMISSION/DRIVE: Automatic with overdrive; 5 speed minimum; Power Steering; 4x2/RWD drive train.		
4.11.4	SUSPENSION: Heaviest Duty available to include heavy duty shock absorbers and independent struts with stabilization.		
4.11.5	BRAKES: Equipped with 4-wheel braking system, and front vented discs minimum.		
4.11.6	DIMENSIONS: Extended or four door cab configuration. Pick-up box length shall be a minimum of 75 inches.		
4.11.7	WHEELBASE: Wheelbase to be a minimum 138 inches.		
4.11.8	WHEELS & TIRES: Tires must meet or exceed the minimum gross vehicle weight rating of vehicle and must be an all season design.		
4.11.9	FUEL SYSTEM: Minimum 20 gallon tank capacity. Unit must run on Unleaded Gasoline, 87 Octane.		
4.11.10	SEATING: Vehicle shall be equipped with 40/20/40 front seat with console and rear bench seat; vinyl seating and upholstery.		
4.11.11	FLOOR: Vinyl flooring.		
4.11.12	BACK UP CAMERA: Unit shall be equipped with a backup camera with a color display mounted to the dash.		
4.11.13	BACK UP SENSOR & ALARM: Truck shall be equipped with rear backup sensors with audible alarm which can be heard inside the cab.		

- 4.11.14 **STROBE:** Truck shall be equipped with total of 4 strobe lights - 2 (qty.) amber and 2 (qty.) white. Strobes will be mounted 2 (qty.) on front grill, and 2 (qty.) on tailgate. Strobes shall be of alternating color, and visible to surrounding motorists. Control toggle switch for strobe lighting shall be installed on the truck dash.
- 4.11.15 **Acceptable Models:** Ford F150 Super Cab, Chevrolet Silverado 1500 Double Cab, GMC Sierra 1500 Double Cab, Toyota Tundra Double Cab, Nissan Titan King Cab, and RAM 1500 Quad Cab.
- 4.11.16 **MISCELLANEOUS:** This specification will provide (24) fleet additions for Development Services.

4.12	ITEM	QUANTITY	DESCRIPTION
	10	1	¾ Ton Extended Cab 4x4/AWD, Long Bed Truck with Accessories

- 4.12.1 **ENGINE:** Gasoline powered engine capable of producing a minimum 360 HP.
- 4.12.2 **GVWR:** Minimum 9000lbs
- 4.12.3 **TRANSMISSION/DRIVE:** Automatic with overdrive; 5 speed minimum; Power Steering; 4x4/AWD drive train with 2 speed transfer case with skid plate and locking hubs. Equipped with limited slip axles or equal.
- 4.12.3 **SUSPENSION:** Heaviest Duty available to include heavy duty shock absorbers and independent struts with stabilization.
- 4.12.5 **BRAKES:** Equipped with 4-wheel brake system, and front vented discs minimum.
- 4.12.6 **DIMENSIONS:** Extended or four door cab configuration. Pick-up box length shall be a minimum 75" inches.
- 4.12.7 **WHEELBASE:** Wheelbase to be a minimum 160 inches.
- 4.12.8 **WHEELS & TIRES:** Tires must meet or exceed the minimum gross vehicle weight rating of vehicle and must be an all season design.
- 4.12.9 **FUEL SYSTEM:** Minimum 25 gallon tank capacity and to be certified to use 87 Octane Gasoline.
- 4.12.10 **MIRRORS:** OEM standard type inside. Power mirrors outside, left and right, collapsible, below eye level type. Driver and passenger mirror configuration shall be equipped with a standard and convex type mirrors. Recreational swing or telescoping type are acceptable. Largest size available in model offered. Remote controlled from driver.
- 4.12.11 **SEATING:** Vehicle to be equipped with 40/20/40 front seating with console and a rear bench seat. Unit interior shall be vinyl seating and upholstery.
- 4.12.12 **FLOOR:** Vinyl flooring.
- 4.12.13 **BACK UP CAMERA:** Unit shall be equipped with a backup camera with a color display mounted to the dash.
- 4.12.14 **BACK UP SENSOR & ALARM:** Truck shall be equipped with rear backup sensors with audible alarm which can be heard inside the cab.
- 4.12.15 **TOW HITCH:** Truck shall be equipped to provide a frame mounted Class IV hitch, receiver, and locking pin with key. Unit shall be equipped with a 7 way round flat pin RV style connector.
- 4.12.16 **RUNNING BOARDS:** Truck shall come equipped with running boards. Running boards shall be the widest available for the model of truck that is bid and have a non-slip surface to provide safe entry and exit of vehicle and have a minimum weight limit of 500 lbs.
- 4.12.16 **STROBE LIGHTING:** Grill mounted blue/amber colored strobe lights to be installed in all four corners (front and rear light assemblies) of truck. Strobes to be wired to a factory type switch located in cab. Lighting must be seen through the push bumper.

- 4.12.17 **TOOLBOX:** Material shall be metal "Gull Wing" or "Cross box" design. Must be wide enough to fit full size bed. Must be a minimum 13" in depth. Must contain keyed lock on each door lid with a push button or lever release. Color must be in White finish. Must contain a minimum of two sliding trays inside compartment. Must have minimum one each side self-rising gas spring lid lift. Bed shall be provided with polyurethane material, spray on type bed liner in black color.
- 4.12.18 **PUSH BUMPER:** Black push bumper on front, Ranch Hand Part# GGD191BL1 (or approved equivalent with proposed substitute manufacturer's literature submitted with bid).
- 4.12.19 **HEADRACK:** Truck shall come equipped with a white or black head rack. Rack shall have louvers or screening to protect the rear window. Rack shall be mounted to the bed rails.
- 4.12.20 **MISCELLANEOUS:** This specification is to replace #0550-RO in FY 2022.

4.13	ITEM	QUANTITY	DESCRIPTION
	11	3	1/2 Ton, Crew CAB, 4x4/AWD Short Bed Truck w/ Responder Upfitting

- 4.13.1 **ENGINE:** Gasoline powered engine capable of producing a minimum 395 HP (no exceptions).
- 4.13.2 **GVWR:** Minimum 6,800 lbs.
- 4.13.3 **TRANSMISSION/DRIVE:** Minimum 6 speed heavy-duty automatic shifter with external oil cooler; column shifter required; all-wheel drive train or 4x4 drive. Shifter shall be electronic shift on the fly. Trucks shall be supplied with limited slip rear axles.
- 4.13.4 **SUSPENSION:** Heaviest duty available to include heavy duty shock absorbers, Independent struts with stabilization.
- 4.13.5 **DIMENSIONS:** Four Full door, crew cab configuration. Pick-up box length shall be short bed design and a minimum of 76" inches. Wheelbase to be a minimum of 144".
- 4.13.6 **BRAKES:** Equipped with 4-wheel automatic braking system, and front/rear disc brakes minimum.
- 4.13.7 **TIRES & WHEELS:** Tires to meet or exceed minimum gross vehicle weight rating of vehicle, all terrain design with full size matching spare tire and wheel. Jack Lug Wrench and all associated tools to be included.
- 4.13.8 **FUEL SYSTEM:** Fuel tank shall hold a minimum of 25 gallons of gasoline.
- 4.13.9 **MIRRORS:** OEM Standard type inside. Power mirrors outside, left and right, collapsible, below eye level type. Recreational swing or telescoping type. Largest available in model offered. Remote controlled from driver.
- 4.13.10 **EXHAUST:** Vehicle shall be equipped with stainless steel rear pipe, with San Antonio Fire Department Plymovent adapter installed.
- 4.13.11 **CHASSIS STEPS:** Each Side of chassis cab shall have Luerne Grip Step 7" running for the full length of cab (or equivalent).
- 4.13.12 **CAMPER SHELL:** Leer 100 RCC Commercial Worktop with the following (No Exceptions): Fiberglass base rails, radius fixed front window with mesh, solid sides (no window), recessed dark tint rear door with double T-Handles, Interior headliner, interior 20" LED light bar and recessed LED 3rd brake light. Side of camper shell shall have a flip up door on each side with NO window. Shell shall be painted to match color of truck.
- 4.13.13 **SLIDE OUT:** Bed slide will be S Truck Bed Cargo model 7348-S will be installed in the rear of the truck.
- 4.13.14 **TOW PACKAGE:** OEM Rear bumper tow package to include receiver hitch with 2" hitch opening, OEM in-cab mounted trailer brake controller and both a 4-way flat vehicle connector and 7-way round vehicle connector (Flat Pin). Meets or exceeds max rated capacities of vehicle.

- 4.13.15 BACKUP CAMERA:** Integrated Back up camera shall be installed and shall be activated automatically when vehicle is placed in reverse. Screen shall be integrated into Rear View Mirror or per manufacturer's standard build.
- 4.13.16 BACK UP SENSOR & ALARM:** Truck shall be equipped with rear backup sensors with audible alarm which can be heard inside the cab.
- 4.13.17 REMOTE UNLOCK:** A weather protected switch shall be installed on the grill guard behind passenger side Whelen speaker that will allow remote lock and unlock of chassis doors. Switch shall face the ground as to prevent water from collecting in switch.

CONVERSION:

- 4.13.18 PUSH BUMPER:** Black push bumper on front, Ranch Hand Part# GGD191BL1 (or approved equivalent with proposed substitute manufacturer's literature submitted with bid).
- 4.13.19 BATTERY POWER:** Vehicle shall have 1 Blue Sea 20A Battery Link Battery Charger Model 7608 installed to dominant and auxiliary batteries. System shall be wired to duplex plug that is powered by external shore power on driver side near front of bed of truck. Provide one Optima N99D34MBLUE battery with White Rogers 200 amp solenoid, type installed in a 14" x14"x14" aluminum auxiliary box in center of floor in front of rear seat. Auxiliary circuit with activation switch on front of console will be installed in console. Circuit will be used to power auxiliary equipment. Circuit will be connected to a Blue Sea fuse block. Diagram will be provided.
- 4.13.20 SHORE POWER:** One Blue Sea Sure Eject 7851 should be installed on driver side of camper shell. This will power a duplex type 120 volt plug in the battery box for the Blue Sea Battery Charger.

EMERGENCY LIGHTING:

- 4.13.21 WINDSHIELD LIGHTING:** Two Whelen Avenger II Dual Head Trio AVC23RBC placed in upper most windshield forward facing using low profile mounting brackets. Red/Blue will flash with forward emergency light switch and white will illuminate with "Take Down" button.
- 4.13.22 FORWARD LIGHTING:** Two Whelen M6 (Red/Blue Split) forward facing on push bumper, Two Whelen Blue M4 (Pattern) on front push bumper at 45 degree angle and Two Whelen Red M4 facing side of vehicle. Also mounted on grill guard (between speakers) will be one FireTech HIVIZ Model FT-MB-2.15-FT-B-1 double stack scene light. This light will be activated with "Take Down" button on the button control on the console. (picture for example)
- 4.13.23 SIDE WARNING LIGHTING:** Two Whelen ION Duo I2SMJ at front of truck bed, one on each side. Two Whelen ION Duo I2SMJ at rear of truck bed, one on each side.
- 4.13.24 REAR WARNING LIGHTING:** One Whelen VTX609R and One Whelen VTX609B light in each taillight. Two WIONR located in top of shell rear opening and two I2SMJ located in center of rear bumper. Exact location and placement to be approved by Fire Department representative upon award of contract.
- 4.13.25 FLASH PATTERN:** All M4 and M6 Solid color lights set to flash pattern #85 and split pattern set to pattern #41; lons set to flash pattern as directed by SAFD Apparatus Committee. All lenses shall be clear with colored LEDs.
- 4.13.26 SIREN/SPEAKERS:** One SLSA1 200 Watt Siren with two Whelen SA315P Speakers mounted on front push bumper with a SAK1 speaker bracket.
- 4.13.27 EQUIPMENT CONTROLLER:** One Whelen WEPC8R will be installed towards front of console towards driver side. Eight buttons will be set to control lights as laid out by SAFD.
- 4.13.28 INTERIOR LIGHT:** One Whelen 3SRCCDCR (Red/White) will be installed in headliner over passenger seat with an activation switch on the center console.
- 4.13.29 COMMUNICATION EQUIPMENT:**
 - 4.13.29.1** Harris MA/com XL-200M Multi Band(remote head) with the following options.

- 4.13.29.1.1 VHF, 700/800 Band
- 4.13.29.1.2 Phase 2 TDMA
- 4.13.29.1.3 EDATA
- 4.13.29.1.4 Link Layer Authentication
- 4.13.29.1.5 P25 and EDACS Trunking
- 4.13.29.1.6 P25OTAP Profile
- 4.13.29.1.7 256 & 64 Encryption
- 4.13.29.1.8 OTAR
- 4.13.29.1.9 In-Band GPS
- 4.13.29.1.10 Provoice
- 4.13.29.1.11 ESK
- 4.13.29.1.12 EXTENDED 3 Years Warranty
- 4.13.29.1.13 Control Unit XL-CH
- 4.13.29.1.14 Mobile Microphone
- 4.13.29.1.15 Mounting Kit
- 4.13.29.1.16 External Speaker

- 4.13.29.2 Antenna Base with element flexible part number XZ-AN8A and XZ-AN6U
- 4.13.29.3 CP-1020-1 Pan Antenna
- 4.13.29.4 CP-1030-1 Pan Antenna
- 4.13.29.5 Antennas to be mounted on roof evenly spaced behind lightbar.
- 4.13.29.6 Getac K120 rugged laptop with following:

- 4.13.29.6.1 Intel® Core™ i7-8550U Processor 1.8GHz -W/ Webcam –
- 4.13.29.6.2 Microsoft Windows 10 Pro x64 with 16GB RAM 256GB SSD
- 4.13.29.6.3 Sunlight Readable Full HD LCD + Touchscreen
- 4.13.29.6.4 Rear Camera + Hard Tip stylus
- 4.13.29.6.5 AC Adapter + US Power cord -(Without Keyboard Dock)
- 4.13.29.6.6 Wifi+BT
- 4.13.29.6.7 HF RFID
- 4.13.29.6.8 3 Year Business to Business Warranty
- 4.13.29.6.9 Extended Warranty- Tablet (Year 4 & 5)

- 4.13.29.7 Getac will be mounted on Havis Dock K120 (Tablet) - Havis Vehicle Docking w/o Tri-Pass through (include 120W vehicle adapter) TG3,KBA-BLTXR-G4460-5US,TG3 83 Key, Rubber, Backlit, Touchpad, USB, Coiled Cord.

- 4.13.29.7.1 No logo, bundled 5 year "no fault" warranty
- 4.13.29.7.2 Getac will be mounted on Havis Dock K120 (Tablet) - Havis Vehicle Docking w/o Tri-Passthrough (include 120W vehicle adapter).
- 4.13.29.7.3 Cradlepoint Model IBR 1700 with Netcloud essentials for mobile routers plus MC400-1200M Wireless Cellular Modem

4.13.30 **MISCELLANEOUS:** This specification is a reconfiguration to replace Fire - Arson Division vehicles #820713, #827411, and #802412.

- | 4.14 | Item | Quantity | Description |
|--------|---|----------|--|
| | 12 | 1 | ¾ Ton Truck, Crew Cab, 4x4/AWD, Long Bed Truck with Camper |
| 4.14.1 | ENGINE: Gasoline powered engine capable of producing a minimum 360 HP. | | |
| 4.14.2 | GVWR: Minimum 9,000 lbs. | | |
| 4.14.3 | TRANSMISSION/DRIVE: Minimum 6 speed heavy-duty automatic shifter with external oil cooler; column shifter required; all-wheel drive train or 4x4 drive. Shifter shall be electronic shift on the fly. Trucks shall be supplied with limited slip rear axles. | | |

- 4.14.4 SUSPENSION:** Heaviest duty available to include heavy duty shock absorbers, Independent struts with stabilization.
- 4.14.5 DIMENSIONS:** Four Full door, crew cab configuration. Pick-up box length shall be long bed design and a minimum of 96" inches. Wheelbase to be a minimum of 167".
- 4.14.6 BRAKES:** Equipped with 4-wheel automatic braking system, and front/rear disc brakes minimum.
- 4.14.7 TIRES & WHEELS:** Tires to meet or exceed minimum gross vehicle weight rating of vehicle, all terrain design with full size matching spare tire and wheel. Jack Lug Wrench and all associated tools to be included.
- 4.14.8 FUEL SYSTEM:** Fuel tank shall hold a minimum of 25 gallons of gasoline.
- 4.14.9 MIRRORS:** OEM Standard type inside. Power mirrors outside, left and right, collapsible, below eye level type. Recreational swing or telescoping type. Largest available in model offered. Remote controlled from driver.
- 4.14.10 EXHAUST:** Vehicle shall be equipped with stainless steel rear pipe, with San Antonio Fire Department Plymovent adapter installed.
- 4.14.11 CHASSIS STEPS:** Each Side of chassis cab shall have running boards with sure grip steps installed the full length of cab.
- 4.14.12 CAMPER SHELL:** Cab high fiberglass camper shell. Large half slider side windows with expanded metal security screens for added security. Picture window in front of shell. Full lift rear door with dual gas shock struts and double "T" door handles. Unit shall have LED third brake light. One Whelen PSCOMPH 12 volt LED lights mounted inside to the top/rear of the shell and wired to constant power source with circuit protection in lieu of camper shell interior light. Switch shall be above tailgate level to be able to activate with tail gate closed. Shell shall be painted to match color of truck. A.R.E truck cap model "V" series, or equal from LEER or Century is acceptable as approved by fire department.
- 4.14.13 TOW PACKAGE:** OEM Rear bumper tow package to include receiver hitch with 2" hitch opening, OEM in-cab mounted trailer brake controller and both a 4-way flat vehicle connector and 7-way round vehicle connector (Flat Pin). Meets or exceeds max rated capacities of vehicle.
- 4.14.14 BACKUP CAMERA:** Integrated Back up camera shall be installed and shall be activated automatically when vehicle is placed in reverse. Screen shall be integrated into Rear View Mirror.
- 4.14.15 BACK UP SENSOR & ALARM:** Truck shall be equipped with rear backup sensors with audible alarm which can be heard inside the cab.
- 4.14.16 MISCELLANEOUS:** This specification is a reconfiguration to replace Cargo Van # 8264 for the Fire Department.

4.15	ITEM	QUANTITY	DESCRIPTION
	13	1	1 Ton Extended Cab Pick Up, Long Bed, SRW, OEM Color

- 4.15.1 ENGINE:** Diesel powered engine capable of producing a minimum of 340 H.P.
- 4.15.2 GVWR:** Minimum 10,001 lbs.
- 4.15.3 TRANSMISSION/ DRIVE:** Automatic with overdrive; 6 speed minimum; Power Steering; 4x2.
- 4.15.4 SUSPENSION:** Heaviest Duty available to include heavy duty shock absorbers and independent struts with stabilization.

- 4.15.5 **BRAKES:** Equipped with 4-wheel brake system, and front vented discs minimum.
- 4.15.6 **DIMENSIONS:** Extended cab configuration with a **minimum 95 inches cargo box.**
- 4.15.7 **WHEELBASE:** Wheelbase to be a minimum 160" inches
- 4.15.8 **WHEELS & TIRES:** Tires to meet or exceed minimum gross vehicle weight rating of vehicle, all terrain tire design. This shall be supplied with full sized hub caps. Typical commercial fleet hub on center shall not be accepted.
- 4.15.9 **FUEL SYSTEM:** Minimum 25 gallon tank capacity diesel fuel with applicable DEF tank.
- 4.15.10 **MIRRORS:** Power mirrors outside, left and right, collapsible, below eye level type. Recreational swing or telescoping type. Largest size available in model offered. Remote controlled from driver seat.
- 4.15.11 **SEATING:** Vinyl seating and upholstery. 40/20/40 bench seating with center console. Rear seat shall be full bench seat.
- 4.15.12 **FLOOR:** Vinyl flooring.
- 4.15.13 **REAR BUMPER:** all trucks shall have a tow package and receiver type hitch on OEM rear bumper.
- 4.15.14 **COLOR:** One truck shall be a color (gray, blue, or black).
- 4.15.15 **SAFETY:** Truck shall be supplied with rear back up camera, back up sensors, and an audible back up alarm.
- 4.15.16 **VEHICLE REGISTRATION:** This vehicle shall be supplied with Regular Exempt plates for law enforcement.
- 4.15.17 **MISCELLANEOUS:** Vehicle being replaced is Unit #6314 for the Police Department.

4.16	ITEM	QUANTITY	DESCRIPTION
	14	1	¾ Ton Extended Cab 4x2/RWD Truck, Gasoline, dark color
4.16.1	ENGINE: Gasoline engine capable of producing a minimum 340 HP.		
4.16.2	GVWR: Minimum 8,501 – 10,000 lbs.		
4.16.3	TRANSMISSION/DRIVE: Automatic with overdrive; 5 speed minimum; Power Steering; 4x2/RWD drive train.		
4.16.4	SUSPENSION: Heaviest Duty available to include heavy duty shock absorbers and independent struts with stabilization.		
4.16.5	BRAKES: Equipped with 4-wheel brake system, and front vented discs minimum.		
4.16.6	DIMENSIONS: Extended or four door cab configuration. Pick-up box length shall be a minimum 75" inches.		
4.16.7	WHEELBASE: Wheelbase to be a minimum 140 inches.		
4.16.8	WHEELS & TIRES: Tires must meet or exceed the minimum gross vehicle weight rating of vehicle and must be an all season design. This shall be supplied with full sized aluminum wheels. Typical commercial fleet hub on center shall not be accepted.		
4.16.9	FUEL SYSTEM: Minimum 25 gallon tank capacity and to be certified to use 87 Octane Gasoline.		
4.16.10	MIRRORS: OEM standard type inside. Power mirrors outside, left and right, collapsible, below eye level type. Driver and passenger mirror configuration shall be equipped with a standard and convex type mirrors. Recreational swing or telescoping type are acceptable. Largest size available in model offered. Remote controlled from driver.		

- 4.16.11 **SEATING:** Vehicle to be equipped with 40/20/40 front seating with console and a rear bench seat. Unit interior shall be vinyl seating and upholstery.
- 4.16.12 **FLOOR:** Vinyl flooring.
- 4.16.13 **BACK UP CAMERA:** Unit shall be equipped with a backup camera with a color display mounted to the dash.
- 4.16.14 **BACK UP SENSOR & ALARM:** Truck shall be equipped with rear backup sensors with audible alarm which can be heard inside the cab.
- 4.16.15 **ACCEPTABLE MODELS:** Ford F250 Super Duty Super Cab, Chevrolet 2500HD Double Cab, GMC Sierra 2500HD Double Cab, and RAM 2500 Quad Cab.
- 4.16.16 **COLOR:** Truck may be black, dark blue, and dark grey.
- 4.16.17 **MISCELLANEOUS:** This specification will replace #6346 for the Police Department.
- 4.16.17 **LICENSE PLATE:** Vehicle is required to be supplied with a regular-exempt license plate that is reserved for police vehicles by the Texas DMV.

4.17	ITEM	QUANTITY	DESCRIPTION
	15	1	Medium Duty, Crew Cab, 15ft Stake/Flat Bed Truck

- 4.17.1 **TRUCK:** Four full door cab with grab handles, tilt hood, and fenders. Truck is to be equipped with running boards at every door. Engine will have automatic shutdown feature enabled after 5-minutes of idle time. Cab to axle minimum 102".
- 4.17.2 **ENGINE:** Diesel, minimum 270 HP.
- 4.17.3 **GVWR:** Replacing a truck that is 25,999 lbs.; Class 6.
- 4.17.4 **TRANSMISSION/DRIVE:** Electronic 5 speed (minimum) automatic transmission capable of a minimum 660 lbs. torque power output at 1,300 RPM.
- 4.17.5 **FRAME:** Minimum 1,275,000-RBM
- 4.17.6 **FRONT AXLE:** Minimum 8,500 lbs., equipped with hub piloted steel hubs, out-board mount type brake drums with Stemco (or equal) front wheel visible cap bearing oiler. Front shock absorbers to be heaviest duty available for specified axle.
- 4.17.7 **REAR AXLE:** Minimum 15,000 lbs., two speeds, ratio geared to attain 65 mph +/-2 mph, equipped with hub piloted steel hubs, out-board mount type brake drums. Unit shall have a maximum of 300 ft. per minute in low speed. Stemco (or equal) oil rear seals.
- 4.17.8 **WHEELS & TIRES:** Wheels to be 10 hole hub piloted steel disk wheel, minimum 11R-22.5R steel belted tubeless radials, minimum load range G tires. Front tires to be conventional tread. Rear dual wheel application to be on-off, self-cleaning, lug design. Loose lug indicators on front and rear wheels.
- 4.17.9 **BRAKES:** Full air, S-cam type, manufacturer's heavy duty brake shoes, spring set parking brakes. Front and rear automatic slack adjusters. Minimum 13 CFM compressors with automatic drain valves and pull chains accessible from the side of the truck. Spring set parking brakes on both rear axles. Quick connect couplings to be located in a protected area near the front bumper. Couplings will not be mounted to the bumper. Female coupling 1/2" to air tanks.
- 4.17.10 **FUEL SYSTEM:** To be equipped with under cab minimum 50 gallon left and right hand tanks. Fuel filtration system to include primary and secondary type fuel filters with automatic water separator. DEF tank to be equipped with gauge inside cab, if applicable. Fuel tank and DEF tank shall be mounted street side and shall be delivered full.
- 4.17.11 **EXHAUST SYSTEM:** Exhaust system to mounted underneath unit. (NO EXCEPTIONS)

- 4.17.12 COLOR:** Truck shall be painted Dupont B8779 (FAA safety regulation moving vehicle color).
- 4.17.13 TOW HOOKS:** Two front tow hooks installed on frame and strengthened sufficiently to lift, pull, and tow truck without damaging bumper or other body parts.
- 4.17.14 UNIT TO BE EQUIPPED WITH THE FOLLOWING:**
- 4.17.14.1** Minimum one (1) electrical and one (1) air horns that meet DOT standards.
 - 4.17.14.2** Integral power steering.
 - 4.17.14.3** Adjustable driver seat/bench passenger seating and rear bench. Seating shall be vinyl.
 - 4.17.14.4** Turn indicators, front and rear, stop and taillights.
 - 4.17.14.5** Windshield washers and variable speed wipers.
 - 4.17.14.6** Adjustable steering column.
 - 4.17.14.7** Power Port/ USB charging port.
 - 4.17.14.8** 5-lb ABC rated fire extinguisher securely mounted in cab.
 - 4.17.14.9** Upgrade to the largest mirrors available for model offered with convex corners.
- 4.17.15 SAFTEY:** vehicle will require an audible back up alarm and amber color LED strobe lights model Grote 77353, or equal. Strobe lights are to be installed on the front grill of chassis and rear panel body. Strobes to be wired to a factory type or toggle switch inside of the cab.
- 4.17.16 TOW PACKAGE:** Unit to be equipped receiver type tow package hitch. A removable pintle/ball hitch combo sleeve to be used with a lock & pin mechanism to keep sleeve in place during use. Tow capacity to be a minimum 17,000 lbs.
- 4.17.17 SPECIFICATIONS FLATBED BODY:**
- 4.17.17.1 LENGTH:** Fifteen feet (15')
 - 4.17.17.2 WIDTH:** Ninety inches (90") minimum
 - 4.17.17.3 LONGITUDINAL SILLS:** Minimum four inch (4") channel, 5.6 pound, high strength steel
 - 4.17.17.4 CROSS SILLS:** Minimum four inch (4") formed box channel of "C" section high strength steel, eleven (11) gauge. All cross sills to be welded to longitudinal sills on all sides.
 - 4.17.17.5 SIDE AND END RAILS:** Unit to be equipped with 3 individual toolboxes equal the length of the flatbed from cab to end on both sides. Toolboxes are to be lockable. Each toolbox is to be 12" H x 12" D x 5' L and OEM Black. A lockable bar the length of the 3 toolboxes on both sides of the bed to be equipped to secure contents in storage boxes.
 - 4.17.17.6 FLOOR:** Minimum three sixteenths inch (3/16"), steel tread plate with floor welded to cross members, or minimum one eighth inch (1/8") steel tread plate with a minimum of five (5) floor support long sills, formed of twelve (12) gauge steel channel
 - 4.17.17.7 LIGHTING:** Two (2) amber reflectors; four (4) red reflectors; two (2) combination stop and turn signal lights; four (4) clearance lights (mounted on left and right rub rails). Stop lights, turn signals, backup, marker, and clearance lights shall be LED-type. All lights and reflectors are required to meet State inspection requirements
 - 4.17.17.8 TAILGATE:** Unit will have a hinged double swing type door as tailgate. Hinges will be welded to rear of toolboxes on both sides and a latch lock will be equipped in the middle. Double swing door tailgate will be 12"H (same as toolboxes) and be 3/8" inch steel. Tailgate with be OEM Black

4.17.17.9 HEADACHE RACK: Unit will come equipped with a headache rack at front of cab. Rack will have a mesh “see thru” type material for safety. Rack will be equipped with two (2) amber beacon lights on both sides at front of cab. Rack will be OEM Black.

4.17.17.10 STEPS: Curbside shall have side steps to enter rear when stake is removed. A grab hand shall be mounted on cab to assist with entry.

4.17.18 LIFT GATE: Hydraulic electric rail gate lift gate to be equipped at back of unit. Tuck-under will not be accepted. Lift to extend/fold down to a minimum 55” L with a minimum 84” W. Material to be a tread plate design. Lift capacity to be no less than 3,000 lbs. Platform to have a 4” inch taper down to assist with loading. Lift gate to be equipped with a safety latch locking folded platform in place when not in use.

4.17.19 BACK UP CAMERA & MONITOR: Dash mounted monitor minimum 9” that is automatically activated when vehicle is placed in reverse.

4.17.18 MISCELLANEOUS: This truck will replace #1974 that is used by the Aviation Airfield Maintenance Division. Photo of current vehicle with missing stakes is a 2001 International 4700 that requires replacement with Class 6 Stake/Flatbed Truck. Replacement is required to be Dupont B8779 color.



4.18	ITEM	QUANTITY	DESCRIPTION
	16	1	1 Ton Truck, Regular Cab, Diesel, 4X4/AWD, Long Bed, SRW

4.18.1 ENGINE: Diesel engine capable of producing a minimum 300 HP.

4.18.2 GVWR: Minimum 11,000 lbs.

4.18.3 TRANSMISSION/DRIVE: Automatic with overdrive; 5 speed minimum; Power Steering; 4x4/AWD drive train with 2 speed transfer case with skid plate and locking hubs. Equipped with limited slip axles or equal.

4.18.4 SUSPENSION: Heaviest Duty available to include heavy duty shock absorbers and independent struts with stabilization.

4.18.5 BRAKES: Equipped with 4-wheel brake system, and front vented discs minimum.

4.18.6 DIMENSIONS: Regular cab configuration. Pick-up box length shall be a minimum 96” inches.

4.18.7 WHEELBASE: Wheelbase to be a minimum 138 inches.

4.18.8 WHEELS & TIRES: Tires must meet or exceed the minimum gross vehicle weight rating of vehicle and must be an all season design.

4.18.9 FUEL SYSTEM: Minimum 25 gallon tank capacity diesel fuel with applicable DEF tank.

4.18.14 MIRRORS: OEM standard type inside. Power mirrors outside, left and right, collapsible, below eye level type. Driver and passenger mirror configuration shall be equipped with recreational swing or telescoping type; both acceptable. Largest size available in model offered. Remote controlled from driver.

4.18.11 SEATING: Vehicle to be equipped with 40/20/40 front seating with console. Seating material shall be vinyl.

- 4.18.12 **FLOOR:** Vinyl flooring.
- 4.18.13 **BACK UP CAMERA:** Unit shall be equipped with a backup camera with a color display mounted to the dash.
- 4.18.14 **BACK UP SENSOR & ALARM:** Truck shall be equipped with rear backup sensors with audible alarm which can be heard inside the cab.
- 4.18.15 **REAR BUMPER:** OEM rear bumper and tow package to include receiver hitch with 2" hitch opening, OEM in-cab mounted trailer brake controller and both a 4-Way flat vehicle connector and 7-Way round vehicle connector (Flat Pin).
- 4.18.16 **STROBE LIGHTING:** Grill mounted amber colored strobe lights to be installed in all four corners (front and rear light assemblies) of truck. Strobes to be wired to a factory type switch located in cab.
- 4.18.17 **MISCELLANEOUS:** This specification will replace #078913.

- | 4.19 | ITEM | QUANTITY | DESCRIPTION |
|---------|---|----------|---|
| | 17 | 2 | 1 Ton Truck, Crew Cab, Diesel, 4X4/AWD, Long Bed, SRW |
| 4.19.1 | ENGINE: Diesel engine capable of producing a minimum 300 HP. | | |
| 4.19.2 | GVWR: Minimum 11,000 lbs. | | |
| 4.19.3 | TRANSMISSION/DRIVE: Automatic with overdrive; 5 speed minimum; Power Steering; 4x4/AWD drive train with 2 speed transfer case with skid plate and locking hubs. Equipped with limited slip axles or equal. | | |
| 4.19.4 | SUSPENSION: Heaviest Duty available to include heavy duty shock absorbers and independent struts with stabilization. | | |
| 4.19.5 | BRAKES: Equipped with 4-wheel brake system, and front vented discs minimum. | | |
| 4.19.6 | DIMENSIONS: Crew cab configuration. Pick-up box length shall be a minimum 96" inches. | | |
| 4.19.7 | WHEELBASE: Wheelbase to be a minimum 160 inches. | | |
| 4.19.8 | WHEELS & TIRES: Tires must meet or exceed the minimum gross vehicle weight rating of vehicle and must be an all season design. | | |
| 4.19.9 | FUEL SYSTEM: Minimum 25 gallon tank capacity diesel fuel with applicable DEF tank. | | |
| 4.19.10 | MIRRORS: OEM standard type inside. Power mirrors outside, left and right, collapsible, below eye level type. Driver and passenger mirror configuration shall be equipped with recreational swing or telescoping type; both acceptable. Largest size available in model offered. Remote controlled from driver. | | |
| 4.19.12 | SEATING: Vehicle to be equipped with 40/20/40 front seating with console. Unit interior shall be vinyl seating and upholstery. | | |
| 4.19.12 | FLOOR: Vinyl flooring. | | |
| 4.19.13 | BACK UP CAMERA: Unit shall be equipped with a backup camera with a color display mounted to the dash. | | |
| 4.19.14 | BACK UP SENSOR & ALARM: Truck shall be equipped with rear backup sensors with audible alarm which can be heard inside the cab. | | |
| 4.19.15 | REAR BUMPER: OEM rear bumper and tow package to include receiver hitch with 2" hitch opening, OEM in-cab mounted trailer brake controller and both a 4-Way flat vehicle connector and 7-Way round vehicle connector (Flat Pin). | | |

- 4.19.16 **STROBE LIGHTING:** Grill mounted blue/amber colored strobe lights to be installed in all four corners (front and rear light assemblies) of truck. Strobes to be wired to a factory type switch located in cab.
- 4.19.17 **TOOLBOX-** Material shall be metal "Gull Wing" or "Cross box" design. Must be wide enough to fit full size bed. Must be a minimum 13" in depth. Must contain keyed lock on each door lid with a push button or lever release. Color must be in White finish. Must contain a minimum of two sliding trays inside compartment. Must have minimum one each side self-rising gas spring lid lift. Bed shall be provided with polyurethane material, spray on type bed liner in black color.
- 4.19.18 **BED LINER -** Bed shall be provided with polyurethane material, spray on type bed liner in black color.
- 4.19.19 **MISCELLANEOUS:** This specification will replace #084313 and #085113.

- | 4.20 | ITEM | QUANTITY | DESCRIPTION |
|------|------|----------|---|
| | 18 | 1 | 1 Ton Truck, Crew Cab, Diesel, 4X2/RWD, Long Bed, DRW |
- 4.20.1 **ENGINE:** Diesel engine capable of producing a minimum 300 HP.
 - 4.20.2 **GVWR:** Minimum 11,000 lbs.
 - 4.20.3 **TRANSMISSION/DRIVE:** Automatic with overdrive; 5 speed minimum; Power Steering; 4x2/RWD drive train with skid plate and locking hubs. (Clarification – this truck will be driving on unfinished roads.)
 - 4.20.4 **SUSPENSION:** Heaviest Duty available to include heavy duty shock absorbers and independent struts with stabilization.
 - 4.20.5 **BRAKES:** Equipped with 4-wheel brake system, and front vented discs minimum.
 - 4.20.6 **DIMENSIONS:** Crew cab configuration. Pick-up box length shall be a minimum 96" inches.
 - 4.20.7 **WHEELBASE:** Wheelbase to be a minimum 160 inches.
 - 4.20.9 **WHEELS & TIRES:** Truck shall be supplied with dual rear wheels. Tires must meet or exceed the minimum gross vehicle weight rating of vehicle and must be an all season design.
 - 4.20.9 **FUEL SYSTEM:** Minimum 25 gallon tank capacity diesel fuel with applicable DEF tank.
 - 4.20.10 **MIRRORS:** OEM standard type inside. Power mirrors outside, left and right, collapsible, below eye level type. Driver and passenger mirror configuration shall be equipped with recreational swing or telescoping type; both acceptable. Largest size available in model offered. Remote controlled from driver.
 - 4.20.11 **SEATING:** Vehicle to be equipped with 40/20/40 front seating with console. Unit interior shall be vinyl seating and upholstery.
 - 4.20.12 **FLOOR:** Vinyl flooring.
 - 4.20.13 **BACK UP CAMERA:** Unit shall be equipped with a backup camera with a color display mounted to the dash.
 - 4.20.14 **BACK UP SENSOR & ALARM:** Truck shall be equipped with rear backup sensors with audible alarm which can be heard inside the cab.
 - 4.20.15 **REAR BUMPER:** OEM rear bumper and tow package to include receiver hitch with 2" hitch opening, OEM in-cab mounted trailer brake controller and both a 4-Way flat vehicle connector and 7-Way round vehicle connector (Flat Pin).
 - 4.20.16 **STROBE LIGHTING:** Grill mounted blue/amber colored strobe lights to be installed in all four corners (front and rear light assemblies) of truck. Strobes to be wired to a factory type switch located in cab.
 - 4.20.17 **TOOLBOX:** Material shall be metal "Gull Wing" or "Cross box" design. Must be wide enough to fit full size bed. Must be a minimum 13" in depth. Must contain keyed lock on each door lid with a push button or lever release.

Color must be in White finish. Must contain a minimum of two sliding trays inside compartment. Must have minimum one each side self-rising gas spring lid lift. Bed shall be provided with polyurethane material, spray on type bed liner in black color.

4.20.18 MISCELLANEOUS: This specification will replace 044812.

- | 4.21 | ITEM | QUANTITY | DESCRIPTION |
|---------|---|----------|--|
| | 19 | 1 | 1 Ton Truck, Regular Cab, Diesel, DRW |
| 4.21.1 | ENGINE: Diesel engine capable of producing a minimum 300 HP. | | |
| 4.21.2 | GVWR: Minimum 11,000 lbs. | | |
| 4.21.3 | TRANSMISSION/DRIVE: Automatic with overdrive; 5 speed minimum; Power Steering; 4x2/RWD. | | |
| 4.21.4 | SUSPENSION: Heaviest Duty available to include heavy duty shock absorbers and independent struts with stabilization. | | |
| 4.21.5 | BRAKES: Equipped with 4-wheel brake system, and front vented discs minimum. | | |
| 4.21.6 | DIMENSIONS: Regular cab configuration. Pick-up box length shall be a minimum 59" inches. | | |
| 4.21.7 | WHEELBASE: Wheelbase to be a minimum 140 inches. | | |
| 4.21.8 | WHEELS & TIRES: Truck shall be supplied with dual rear wheels. Tires must meet or exceed the minimum gross vehicle weight rating of vehicle and must be an all season design. | | |
| 4.21.9 | FUEL SYSTEM: Minimum 25 gallon tank capacity diesel fuel with applicable DEF tank. | | |
| 4.21.10 | MIRRORS: OEM standard type inside. Power mirrors outside, left and right, collapsible, below eye level type. Driver and passenger mirror configuration shall be equipped with recreational swing or telescoping type; both acceptable. Largest size available in model offered. Remote controlled from driver. | | |
| 4.21.11 | SEATING: Vehicle to be equipped with 40/20/40 front seating with console. Seating material shall be vinyl. | | |
| 4.21.12 | FLOOR: Vinyl flooring. | | |
| 4.21.13 | BACK UP CAMERA: Unit shall be equipped with a backup camera with a color display mounted to the dash. | | |
| 4.21.14 | BACK UP SENSOR & ALARM: Truck shall be equipped with rear backup sensors with audible alarm which can be heard inside the cab. | | |
| 4.21.15 | REAR BUMPER: OEM rear bumper and tow package to include receiver hitch with 2" hitch opening, OEM in-cab mounted trailer brake controller and both a 4-Way flat vehicle connector and 7-Way round vehicle connector (Flat Pin). | | |
| 4.21.16 | MISCELLANEOUS: This specification will provide a new vehicle for the Department of Human Services to haul a mobile shower trailer. | | |

- | 4.22 | ITEM | QUANTITY | DESCRIPTION |
|--------|---|----------|---|
| | 20 | 1 | ¾ Ton Diesel Pick Up Dump Bed Insert w/Crane |
| 4.22.1 | ENGINE: Diesel powered engine capable of producing a minimum 340 HP. | | |
| 4.22.2 | GVWR: 6001 - 10,000 lbs. | | |
| 4.22.3 | TRANSMISSION/ DRIVE: Automatic with overdrive; 6 speed minimum; Power Steering; 4x2. | | |

- 4.22.4 SUSPENSION:** Heaviest Duty available to include heavy duty shock absorbers and independent struts with stabilization.
- 4.22.5 BRAKES:** Equipped with 4-wheel brake system, and front vented discs minimum.
- 4.22.6 DIMENSIONS:** Regular cab configuration with a minimum 95 inches cargo box.
- 4.22.7 WHEELBASE:** Wheelbase to be a minimum 140" inches.
- 4.22.8 WHEELS & TIRES:** Tires to meet or exceed minimum gross vehicle weight rating of vehicle, all terrain tire design.
- 4.22.9 FUEL SYSTEM:** Trucks shall be equipped with a minimum 28 gallon diesel tank.
- 4.22.10 MIRRORS:** OEM standard type inside. Power mirrors outside, left and right, collapsible, below eye level type. Recreational swing or telescoping type. Largest size available in model offered. Remote controlled from driver seat.
- 4.22.11 SEATING:** Vinyl seating and upholstery. 40/20/40 bench seating with center console.
- 4.22.12 FLOOR:** Vinyl flooring.
- 4.22.13 DUMP INSERT & COVER:** Length and width of insert must fit an 8ft. cargo bed. The insert must be a bolt-on design; TruckCraft or approved brand equal.
- 4.22.13.1 Lifting Capacity:** Dump insert shall have a minimum weight capacity of 5,000 lbs. and a minimum volume dump capacity of 2 cubic yards.
- 4.22.13.2 Material:** Insert shall be constructed of a minimum 12-gauge steel sides and floor with black powder coat interior finish. Dump body must be constructed in a manner that prevents liquid from leaking. Pivots to be serviceable via threaded grease fittings.
- 4.22.13.3 Hydraulics:** Hydraulic system must be a single mounted hoist and pump located under the unit and operates on the truck battery. Dump must include a remote control for dump operation that must lift up to a minimum 45-degree angle and include a removable double-acting tailgate.
- 4.22.13.4 Cover:** Unit must contain a cover ("camper style") of all metal construction that is either bolted or welded to the dump insert and is constructed of aluminum. Cover must contain a rear topper door (non-glass) that is hinged from the top and has a latch to allow it to be secured in the closed position. Rear topper door must be able to be left in the open position with gas struts mounted on each side of door. Rear tailgate must open and close without having to open the topper door.
- 4.22.13.5 Dimensions:** Height must be no less or greater than the height of the cab of the truck. Length must be no less or greater than the length of the dump insert. Width must be no less or greater than the width of the dump insert.
- 4.22.13.6** Exterior of dump insert and cover must be painted to match color of truck (OEM white).
- 4.22.13.7** Cover must contain two rear brake lights; one mounted on each side of the cover at the highest point possible and wired to the light system of the truck. Cover shall have two amber flashing LED strobe lights; one mounted on each side of the cover facing rearward and wired to an up-fitter switch to be installed on the cab of the vehicle.
- 4.22.14 FOLD-AWAY BUMPER CRANE:** Trucks shall be upfitted with a bumper fold away crane model that is Western Mule A-1350 or approved equal.
- 4.22.14.1 Type:** Bumper mounted fold-away type crane with minimum 1350 lbs. lifting capacity. Hoist motor shall be 12 volt D.C. powered with a power up and down feature controlled by a handheld controller and circuit breaker protected. Cable shall be a minimum 25' feet in length and minimum 3/16" in thickness. Crane shall have a 360 degree rotation. Crane shall be constructed of steel. Bumper shall have a Class 3 receiver type hitch rated a minimum 1000 lbs. vertical hitch load. The crane shall be OSHA & ANSI compliant. The crane/bumper shall be finished with a semi-gloss black powder

coating. Crane shall be furnished with detailed operation and safety instructions and a parts list and maintenance instructions along with a one year warranty on materials and workmanship.

4.22.14.2 Boom Dimensions: Crane shall be mounted to a standard full-size Pick Up. Crane boom shall be a maximum height of 77" inches and 45" inches in length.

4.22.14.3 Additional Features: Unit shall have a "Free-Wheeling" winch drum. Unit shall have a two-piece aluminum diamond plate cover with a continuous stainless steel hinge attached with stainless steel rivets and magnetic latch to secure the cover when closed. Unit shall have a three piece factory installed aluminum cover for the bottom side of the bumper. Unit shall contain LED taillights that shall be sealed beam combination stop/turn lights, flush mounted in a heavy duty rubber shock mount and pre-wired into the bumper. Unit shall have LED sealed beam backup lights, flush mounted in a heavy duty rubber shock mount. The bulb shall be rated at a minimum of 32 candlepower and pre-wired into the bumper.

4.22.15 WARRANTY: The conversion installation shall be warranted a minimum of 3 years or 36 thousand miles from date vehicle is placed into service.

4.22.16 Must show proof of upfit installation proposed models of equipment and applicable warranty locations.

4.22.17 MISCELLANEOUS: Specifications to replace #416417 for the Solid Waste Department in FY 2022. Left photo is rear of truck. Right photo depicts un-stowed crane.



- | 4.23 | ITEM | QUANTITY | DESCRIPTION |
|---------------|----------------------------|----------|--|
| | 21 | 1 | 1 Ton Truck, Crew Cab, Diesel, 4x2/RWD, Custom Flat Bed, DWR |
| 4.23.1 | ENGINE: | | Diesel powered engine capable of producing a minimum 330 HP. |
| 4.23.2 | GVWR: | | Minimum 10,000 lbs. |
| 4.23.3 | TRANSMISSION/DRIVE: | | Automatic with overdrive; 5 speed minimum; Power Steering; 4x2/RWD drive train. |
| 4.23.4 | SUSPENSION: | | Heaviest Duty available to include heavy duty shock absorbers and independent struts with stabilization. |
| 4.23.5 | BRAKES: | | Equipped with 4-wheel braking system, and front vented discs minimum. |
| 4.23.6 | DIMENSIONS: | | 4 door cab configuration. 60" (inch) cab to chassis minimum. Wheelbase shall be a minimum of 175"(inches). |
| 4.23.7 | WHEELS & TIRES: | | Unit shall be equipped with dual rear tires and wheels and shall be equipped with a tire pressure monitoring system. Tires shall meet or exceed minimum gross vehicle weight rating of vehicle, maximum traction tread design with full size matching spare tire and wheel. Rear tires shall be equipped with a Cats Eye TPMS or approved equal. |
| 4.23.8 | FUEL SYSTEM: | | Unit shall have a minimum fuel capacity of 24-gallons. Fuel filtration system shall include primary and secondary filter with water separator. DEF tank shall be equipped with gauge inside cab, if applicable. |

- 4.23.9 MIRRORS:** OEM standard type inside. Power mirrors outside, left and right, collapsible, below eye level type. Driver and passenger mirror configuration shall be equipped with a standard and convex type mirrors. Recreational swing or telescoping type are acceptable. Largest size available in model offered. Remote controlled from driver.
- 4.23.10 SEATING:** Vehicle shall be equipped with a 40/20/40 front bench and single rear bench seat, vinyl seat and upholstery. Center console shall be equipped.
- 4.23.11 FLOOR:** Unit shall be equipped with dark vinyl flooring.
- 4.23.12 FLATBED:** Bed shall be a minimum of 9' (Feet) long x 7.5' (Feet) wide with storage boxes mounted on each side. Floor shall be one piece, 3/16 steel. Head rack shall be 12 gauge steel with integral mesh cab shield. Bed shall be equipped with a 5 gallon water jug holder. A ladder shall be mounted towards the rear of the bed to facilitate climbing into bed.
- 4.23.13 STORAGE BOXES:** Lockable storage box with 2 separate compartments shall be mounted on the driver side and passenger side of bed. Boxes shall be mounted 12" (inches) inset from edge of bed. Total box dimensions shall be a minimum of 96" (inches) wide x 16" (inches) high x 18" (inches) deep.
- 4.23.14 UNDER BODY STORAGE BOX:** Lockable single compartment storage box shall be mounted under the bed, behind the cab area and ahead of the rear wheels. Storage box dimensions shall be 18" (inch) high x 18" (inch) deep x 36" (inch) wide. 1 Storage box shall be located street side and 1 storage box shall be located curbside.
- 4.23.15 CONE HOLDERS:** Four horizontal mount traffic cone holders shall be installed directly behind the headache rack. Holders shall be approximately 22" H x 4" W x 6 7/8" L.
- 4.23.16 DOT TAPE:** Vehicle shall be supplied with red and white reflective tape as shown in the photo below.



- 4.23.17 STEP BARS:** Bed shall be equipped with two (2) step bars, one on each side. Steps bars shall have a non-slip surface to provide safe entry and exit of vehicle and have a minimum weight limit of 500 lbs.
- 4.23.18 LIGHTING:** Truck shall be equipped with a minimum of 4 (qty.) amber strobe lights - Strobes will be mounted: 2 (qty.) on front grill, and 2 (qty.) on rear body panel. Strobes shall be installed in a position that is visible to surrounding motorists. Control toggle switches for strobe lighting shall be installed on the truck dash or factory up fitter switches, both shall be accepted. Strobes shall be surface mounted, hide-a-way type shall not be accepted.
- 4.23.19 BACK UP CAMERA:** Unit shall be equipped with a backup camera with a color display mounted to the dash.
- 4.23.20 BACK UP SENSOR & ALARM:** Truck shall be equipped with rear backup sensors with audible alarm which can be heard inside the cab.
- 4.23.21 MUD FLAPS:** Unit shall be equipped with black unmarked mud flaps with anti-sail device positioned behind the axle.
- 4.23.22 TOW PACKAGE:** Tow package to include receiver hitch with 2" hitch opening, OEM in-cab mounted trailer brake controller and both a 4-Way flat vehicle connector and 7-Way round vehicle connector (Flat Pin).
- 4.23.23 LIFT GATE:** Unit shall be equipped with a 1,500 lbs. minimum lift capacity, heavy duty hydraulic electric power lift gate. Platform shall be two pieces with a minimum of 42" loading depth. Platform construction shall be steel or aluminum. Both shall be accepted; tuck-a-way models shall not be accepted.

4.23.24 **MISCELLANEOUS:** These specifications will replace #1356.

4.24	ITEM	QUANTITY	DESCRIPTION
	22	1	1 Ton Single Cab Pick Up, Long Bed, with Refuse Insert (Turnkey Unit)

4.24.1 **ENGINE:** Minimum 6 cylinders with a minimum 300 H.P.

4.24.2 **GVWR:** Minimum 10,001 lbs.

4.24.3 **TRANSMISSION/ DRIVE:** Automatic with overdrive; 6 speed minimum; Power Steering; 4x2.

4.24.4 **SUSPENSION:** Heaviest Duty available to include heavy duty shock absorbers and independent struts with stabilization.

4.24.5 **BRAKES:** Equipped with 4-wheel brake system, and front vented discs minimum.

4.24.6 **DIMENSIONS:** Single cab configuration with a minimum 95 inches cargo box.

4.24.7 **WHEELBASE:** Wheelbase to be a minimum 140" inches

4.24.8 **WHEELS & TIRES:** Tires to meet or exceed minimum gross vehicle weight rating of vehicle, all terrain tire design. This shall be supplied with full sized hub caps. Typical commercial fleet hub on center shall not be accepted.

4.24.9 **FUEL SYSTEM:** Truck shall be unleaded fuel with a minimum tank capacity of 36 gallons.

4.24.10 **MIRRORS:** OEM standard type inside. Power mirrors outside, left and right, collapsible, below eye level type. Recreational swing or telescoping type. Largest size available in model offered. Remote controlled from driver seat.

4.24.11 **SEATING:** Vinyl seating and upholstery. 40/20/40 bench seating with center console.

4.24.12 **FLOOR:** Vinyl flooring.

4.24.13 **REAR BUMPER:** all trucks shall have a tow package and receiver type hitch on OEM rear bumper.

4.24.15 **SAFETY:** Truck shall be supplied with rear back up camera, back up sensors, and an audible back up alarm. Aftermarket back up camera and sensor may be substituted if OEM offerings interfere with the Refuse Body Dump Insert.

4.24.16 **MISCELLANEOUS:** This specification will provide a new addition to the Solid Waste Department fleet.

4.24.17 **REFUSE BODY DUMP INSERT:**

4.24.18 **MISCELLANEOUS:** Insert shall be recycled for use on another future truck when truck supplied reaches the end of its useful life.

4.24.19 **ELECTRICAL:** 12 Volt systems approximately 250-amp load shall be provided. Push button controls shall be provided.

4.24.20 **BODY:** 6YD Capacity, up to 2000 pounds with dual-side access door(s). Hard-Top for food collection with sweep lid. Mountable in 1-ton full-size Pick Up, 8' bed.

4.24.21 **BUMPER:** Bumper system shall protect lifter.

4.24.22 **LIFTER:** Lifter shall be hook style.

4.24.23 **DISCHARGE:** 45° dump angle. Shall dump (offload) into standard rear-load sanitation truck.

4.24.24 MISCELLANEOUS: These specifications are for an additional unit to the City.

4.24.25 ACCEPTABLE MODEL: Perkins Satellite or equivalent 6YD refuse dump body.



4.25	ITEM	QUANTITY	DESCRIPTION
	23	2	1 Ton Regular Cab Truck, Diesel - DRW with Traffic Utility Storage

4.25.1 ENGINE/BATTERY: Diesel powered, minimum 6 liter engine producing a minimum 250 HP rated at manufacturer's RPM. Truck must contain a secondary deep cycle battery to power truck safety lighting while truck engine is off. Secondary battery location shall be most optimal for operation ease.

4.25.2 GVWR: Minimum 10,001 lbs.

4.25.3 TRANSMISSION/ DRIVE: Automatic with overdrive; 6 speed minimum; Power Steering; 4x2 design

4.25.4 CAB TO AXLE: Truck cab to axle shall be approximately 84".

4.25.5 MIRRORS: Equipped with OEM inside mirror; outside mirrors shall be the largest size mirrors available that are telescoping type.

4.25.6 TIRES & WHEELS: Truck shall be supplied with dual rear wheels. Tires shall meet or exceed minimum gross vehicle weight rating of vehicle, all season design.

4.25.7 AXLE & SUSPENSION: Truck shall be equipped with front axle that is 4,000 lb. capacity and rear axle that is at minimum 6,000 lb. capacity OR matching offered truck GVWR; with applicable suspension and heavy duty shock absorbers. Truck shall be equipped with limited slip axles or equivalent.

4.25.8 STEERING: Truck is required to be supplied with power steering

4.25.9 BRAKES: Equipped with 4-wheel brake system, and front vented discs minimum.

4.25.10 FUEL SYSTEM: Truck must have a minimum of 40 gallon with DEF tank with corresponding dash gauge and/or low level indicator light.

4.25.11 CAB: Truck shall be supplied with a regular cab. Seating shall be a 40/20/40 front bench seat with console. Upholstery shall be dark gray cloth or vinyl. Cab shall be equipped with dark vinyl flooring. Trucks shall be supplied with sufficient factory upfitter switches to accommodate lighting listed below.

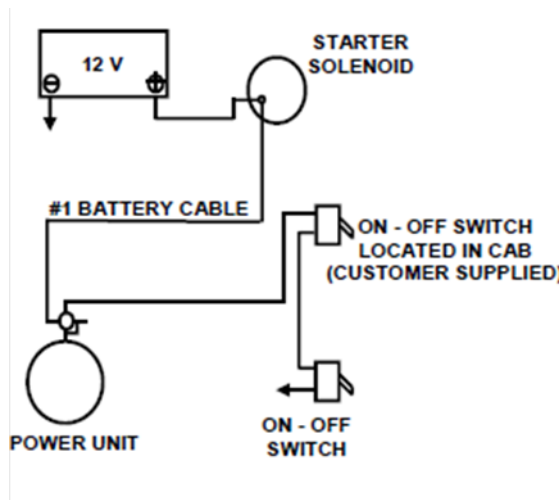
4.25.12 SIDESTEP: Driver and passenger sides shall each have a black colored sidestep for access ease to cab.

4.25.13 REAR BUMPER: Rear bumper must include a heavy duty 6" jaw width, 6" jaw opening with a 180 degree swivel base with lockdown and powder coated vise. Vise shall have large anvil work surface with built-in pipe jaws to handle various pipe sizes. Vise shall be mounted curb side on vise bracket. Wilton 656 HD or equal.

4.25.14 FRONT BUMPER POLE PULL: Unit to be equipped with a Diversified PPF 203 Regular Duty Post Puller, or equivalent with external waterproof on/off switch operational when internal power is on:

4.25.14.1 BOOM EXTENSION: Extension should reach out at least 30" inches.

- 4.25.14.2 SIDE REACH:** To be a minimum 91 ½” from pivot point.
- 4.25.14.3 PULLING POWER:** Equipment will have a minimum 10,000 lbs. pulling power.
- 4.25.14.4 MATERIAL:** Unit to have a 4’ x 4’ steel tower support. The steel tower is to be a minimum 2”. All frame extensions are to be 8 x 8x 3/8” plate.
- 4.25.14.5 CYLINDERS:** The boom lift shall have a 2” bore and 6” stroke. The boom extend is to have a 2” bore, 12” stroke, and 1 ¼ “ rod.

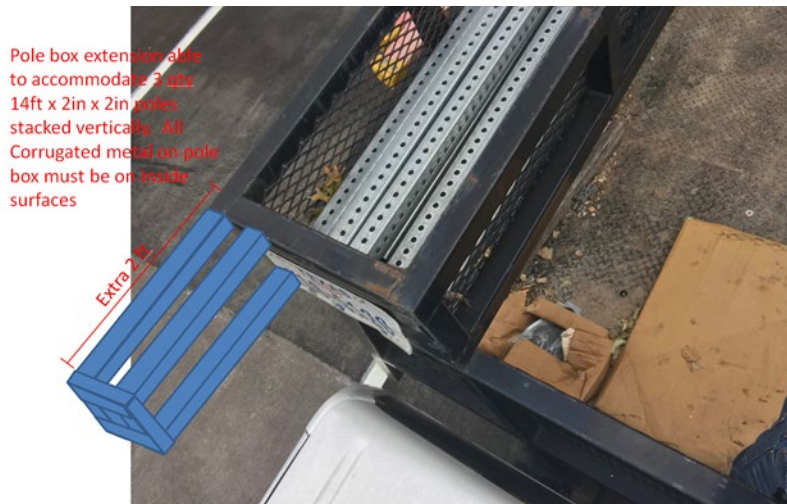


4.25.15 TRAFFIC UTILITY BED SPECIFICATIONS

- 4.25.15.1 LENGTH:** Approximately 11.5 feet long.
- 4.25.15.2 WIDTH:** Approximately 8 feet wide.
- 4.25.15.3 CONSTRUCTION:** 1/8” inch steel tread plate floor, 4” inch steel structural channel long sills, 3 ½ inches formed 10 gauge cross members on 15” centers, 2” square tubing frame. Platform body sides, rear, and bumper to be marked with reflective conspicuity tape and reflectors.
- 4.25.15.4 HEADACHE RACK:** Headache rack to measure width of platform and a minimum 42” inch tall made of square tubing and expanded metal.
- 4.25.15.5 SIGN HOLDERS:** Street sign holders- mounted street side against inside of toolboxes.
- 4.25.15.6 PIPE/TUBING RACK:** Pipe and tubing rack made with square tubing and expanding metal to measure a minimum 18” inches wide x 10” tall x 148” long mounted on top of a cage that has an access door that is lockable. Cage to be constructed of square tubing and expanded metal. 2ft extended portion of pipe/tubing rack capable of fitting 3 qty 14ft x 2in x2in square tube stacked vertically as depicted in attached image. Cage to be constructed of square tubing and expanded metal with expanded metal located on inside surfaces of square tubing. There shall be two ladder hooks mounted to curb side of pipe/tubing rack.
- 4.25.15.7 MISCELLANEOUS:** 5-gallon water cast with mount, mounted curbside on top of toolbox. Unit to have removable panel tailgate.
- 4.25.15.8 LEDGE BUMPER:** A 2’ foot ledge platform bumper, (1) 12” x 32”x 16” elevated entry box and one 6” inch mechanics vise mounted on curbside. Vise shall be mounted at a height that will allow the entry box to be used as a support for material while being used in the vice. License plate and light shall be mounted on entry box. Entry box shall have mechanism to allow it to be locked. Side boxes will have master locking devices. Removable rear platform tailgate panel.
- 4.25.15.9 HINGED BOXES:** Two (2) horizontally hinged waterproof boxes are to be mounted on curb and street side long enough to cover the length of the platform body, which shall be 16” tall and 13”

deep, with reinforced 1/8" steel tread plate top plate and (1) 18"x18"x36" jack hammer chest box to be mounted against bulkhead.

- 4.25.16 MUD FLAPS:** Vehicle body must have black unmarked mud flaps with anti-sail device positioned in front and rear of rear axle.
- 4.25.17 LIGHTING:** Unit must have state required lighting system Unit shall have 8 (qty.) surface mounted LED split color type strobe lights; amber and blue. One (1) Amber beacon light shall be installed and mounted on a 12" inch mast welded to the rear street side toolbox. All strobe lights must be wired to OEM up fitter switches. Supplemental lighting should NOT be connected to battery cut off switch. Blue lighting shall be wired to a separate up fitter switch and allow the operator to turn on and off independently of amber lights. All strobe lighting shall be Amber/Blue in color at locations shown in photos below.
- 4.25.18 ARROW BAR/STICK:** An LED amber directional arrow stick approximately 29" L x 2" D x 1.5" H to be installed at body rear (not shown in photo.) Must have more than 1 flash pattern. The arrow stick to be connected to factory installed switches. The switches are to be configured to direct the lighting in different directions.
- 4.25.19 BODY PREPARATION:** Primed with high quality primer then painted black.
- 4.25.20 BACK UP CAMERA:** Units shall be equipped with a backup camera with a color display mounted to dash.
- 4.25.21 BACK UP SENSOR & ALARM:** Trucks shall be equipped with rear back up sensors with audible alarm to be heard inside the cab.
- 4.25.22 MISCELLANEOUS:** This bid item will be replacing four customized trucks for traffic sign operations. These specifications will replace # 037211 and 224112 used by the Public Works. The current truck has less lighting than the specification listed here. Vehicle is available for inspection by appointment only.

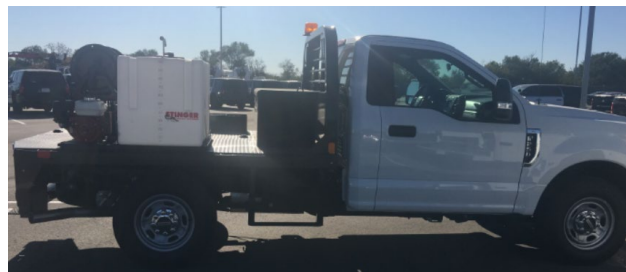




4.26	ITEM	QUANTITY	DESCRIPTION
------	------	----------	-------------

- 4.26.1 ENGINE:** Gasoline powered engine, minimum of 6 cylinders, producing a minimum 315 HP.
- 4.26.2 GVWR:** Minimum of 8,001 lbs.
- 4.26.3 TRANSMISSION/DRIVE:** Automatic with overdrive; 6 speed minimum; Power Steering; 4x2 design.
- 4.26.4 SUSPENSION:** Heaviest Duty available to include heavy duty shock absorbers and independent struts with stabilization.
- 4.26.5 DIMENSIONS:** Regular cab configuration. Minimum cab to axle is 56”.
- 4.26.6 BRAKES:** Equipped with 4-wheel automatic braking system and front vented discs at minimum.
- 4.26.7 TIRES & WHEELS:** Tire pressure monitoring system required. Tires must meet or exceed minimum gross vehicle weight rating of vehicle.
- 4.26.8 FUEL SYSTEM:** Fuel tank shall hold a minimum of 20 gallons of Unleaded 87 Octane.
- 4.26.9 SEATING:** Vinyl seating and upholstery
- 4.26.10 FLOOR:** Vinyl flooring.
- 4.26.11 MIRRORS:** OEM standard type inside. Power mirrors outside, left and right, collapsible, below eye level type. Recreational swing or telescoping type. Largest size available in model offered. Remote controlled from driver.
- 4.26.12 PLATFORM:** Minimum length is 8 ft with tread plate floor. Maximum platform weight is 650 lbs. Constructed of either solid aluminum or solid steel that is a minimum of 12-gauge high strength tread plate wrap around floor and painted black. Platform shall be reinforced with cross members that are spaced on 24” centers with a minimum of two long sills the length of the floor. Platform shall have a water-based coating for underside protection. Provide clearance, marker and identification lights that meet FMVSS 108 requirements. Provide a step assist at curbside front.
- 4.26.13 TOOL UTILITY CHEST:** One lockable toolbox is to be bolted to the platform at front, adjacent to truck cab. The toolbox is to be painted white. Toolbox dimension to be a minimum of 39”L x 27”W x 17”H. Toolbox to be black in color.
- 4.26.14 CONE HOLDER:** Deck mounted traffic safety cone holder of any design to be mounted curbside at Tool Utility Chest right. Must be of weatherproof material. Sufficient size or quantity to safely secure 8 traffic safety cones.
- 4.26.15 COOLER MOUNT:** Provide a 5 Gallon Truck Cooler Mount to support a round cooler. Must have a belt to secure for travel. Mounted left behind driver.
- 4.26.16 SPRAYER BIN:** Provide one double pump-up sprayer bin to hold two 2-gallon or 3-gallon pump-up sprayers. Constructed of weatherproof material. Sprayer bin is mounted next to cooler on driver side.
- 4.26.17 CHEMICAL HOLDER:** Provide two 5-gallon jug or container in place to prevent spills during transport. Constructed of weatherproof material. Both chemical holders are mounted side by side next to sprayer bin.
- 4.26.18 VECTOR EQUIPMENT:** Mount vector equipment to platform bed off-center towards curbside. Vector equipment shall be a 100 gallon , gasoline powered, Stinger Sprayer System, or equivalent, with Hypro pump. Sprayer system includes a GX160 Honda motor, Hypro D30 pump, and upgraded with an electric heavy duty powder coated reel with 300 ft. of 3/8" spray hose. Equipment requires a 12 volt deep cycle group 27 battery, 75 amp on/off switch, and a 50 amp breaker.
- 4.26.19 TIE DOWNS:** Install 2 sets of D-Rings at driver side platform rear edge and 2 sets of D-Rings along the mount of the vector equipment edge to support the transit of a step ladder (not provided by vendor) that will be secured with straps (not provided by vendor) in use with the D-Rings.

- 4.26.20 LIGHTING:** Must have State required lighting system. Rear brake, parking, turn signal, and backup lights to be mounted in highest possible location and must be high intensity LED type lighting. All Federal Motor Vehicle Safety Standard #108 approved lighting required to complete State Safety Inspection, all recessed.
- 4.26.21 BEACON LIGHT:** Equipped with a pole mounted beacon light, where light base is level to truck roof top and protrudes upward visible to surrounding motorist. Control switch for beacon lighting is to be factory installed. An acceptable beacon light model is the Whelen L10 Super LED Beacon, or equivalent.
- 4.26.22 WARNING SIGN:** Mount a slow moving vehicle warning sign at left platform rear. It shall be a fluorescent reflective steel sign that is a minimum of 14" H x 16" W.
- 4.26.23 BUMPER:** ICC Style Bumper with walk ramp and bumper blocks.
- 4.26.24 EXTERIOR LIGHTING:** Unit shall have high-mounted amber colored LED strobe lights mounted on each side of rear of unit. Unit shall have low-mounted white colored LED strobe lights mounted on each side of rear of unit. All strobe lights shall be wired to a switch mounted in the cab of the truck.
- 4.26.25 BODY REAR LIGHTS:** Recessed-mounted LED stop/turn and parking capabilities. Additional high-level red LED.
- 4.26.26 BACK UP CAMERA:** Trucks shall be equipped with a backup camera with a color display mounted to dash.
- 4.26.27 BACK UP SENSOR & ALARM:** Trucks shall be equipped with rear back up sensors with audible alarm.
- 4.26.28** The Metropolitan Health District is replacing a 2009 Ford F250 Super Duty vector control truck #1532. This truck is used to spray easements and public lands to control mosquito populations. Vehicle is available for viewing by appointment only.



4.27	ITEM	QUANTITY	DESCRIPTION
	25	3	¾ Ton Regular Cab Utility Service Truck w/ Tow Hitch

4.27.1 ENGINE: Gasoline powered engine capable of producing a minimum of 360 HP.

4.27.2 GVWR: approximately 10,000 lbs.

- 4.27.3 TRANSMISSION/DRIVE:** Automatic transmission with overdrive; 6 speed minimum.
- 4.27.4 SUSPENSION:** Heaviest duty available to include heavy duty shock absorbers and independent struts with stabilization.
- 4.27.5 CAB TO AXLE:** Truck shall not be less than 56" cab to axle length. Chassis shall be long enough to meet the utility body dimension requirements.
- 4.27.6 BRAKES:** Equipped with 4-wheel automatic braking system and front vented discs at minimum.
- 4.27.7 TIRES & WHEELS:** Trucks shall be a single rear wheel design. Tire pressure monitoring system is required. Tires must meet or exceed minimum gross vehicle weight rating of vehicle.
- 4.27.8 FUEL SYSTEM:** Fuel tank shall hold a minimum of 30 gallons of gasoline.
- 4.27.9 MIRRORS:** Equipped with OEM inside mirror; outside mirrors shall be the largest size mirrors available that are telescoping type.
- 4.27.10 CAB:** Truck shall be supplied with a regular cab. Front seating shall be a 40/20/40 front bench seat with console. Upholstery shall be dark gray vinyl. Cab shall be equipped with dark vinyl flooring.
- 4.27.11 LIGHTING:** Vehicle shall be supplied with the following additional lighting:
- 4.27.11.1 BLUE/AMBER STROBES:** Vehicle shall have (4) surface mounted LED amber/blue strobe lights (Federal Signal MicroPulse® Ultra Warning Light or equivalent with black bezel, or equivalent high intensity bi-colored strobe that is approximately 5" x 2"): (2) shall be surfaced mounted to front grill that are connected to the (2) rear LED strobe light mounted on service body. Said strobe lighting shall be wired to up-fitter switches located in cab of vehicle.
 - 4.27.11.2 SIGNAL LIGHTING & AMBER STROBES:** Rear brake, parking, turn signal, and backup lights to be mounted in highest possible location. An additional two (2) Federal Signal SignalTech® Lights or equivalent 4" LED amber strobe lights, with black bezel, shall be surface mounted, or inset on the utility body, adjacent to the signal turn lights. Said amber LED strobe lights shall be synchronized to come on with blue / amber strobe lights and the arrow bar.
 - 4.27.11.3 ARROW BAR/STICK:** An LED amber directional arrow stick shall be a minimum of 23" L x 1.5" H to be installed at body rear mounted below the upper section of the headache rack. Must have more than 1 flash pattern. The arrow stick is required to have a visor-like extrusion to help block the sun for maximum visibility. A MicroPuse SignalMaster™ Directional Warning Light, or equivalent, shall operate with dash mounted or factory installed switches. The switches are to be configured to direct the lighting in different directions.
- 4.27.12 HEADACHE RACK:** Truck shall be equipped with a black headache rack.
- 4.27.13 UTILITY BODY SPECIFICATIONS:** Body shall be Rawson-Koenig Utility Bed or other equivalent body manufacturer. Body shall be constructed metal with welded seams.
- 4.27.14 BODY DIMENSIONS:**
- 4.27.14.1 Length:** Approx. Ninety-six inches (96").
 - 4.27.14.2 Width:** Approx. Seventy-eight inches (78").
 - 4.27.14.3 Height:** Approx. Minimum thirty-nine inches (39").
- 4.27.15 BODY COMPARTMENTS:** Left and right front compartments to be full height, approximately 26" to 33" wide, 14" to 15" deep.
- 4.27.15.1** Right front compartment to have roll-out toolbox tray and one adjustable removable shelf with a minimum of six (6) dividers.

- 4.27.15.2 Left front compartments are to have three (3) adjustable removable shelves with a minimum of six (6) adjustable dividers each.
- 4.27.15.3 Horizontal compartments (both right and left) to have a reinforced shelf, each with a minimum of ten (10) adjustable dividers for each side. Horizontal compartments to be minimum 14-1/2" wide, between 59" to 68" long and a minimum of 17" high. Rear doors to be half or full size when horizontal compartment extends through rear door.
- 4.27.15.4 Rear compartments (both right and left) must have one (1) adjustable removable shelf. All doors to be weather-sealed and positive horizontal door holders.
- 4.27.15.5 Master locking system must be used.

4.27.15.1 CUSTOM EXPANDED METAL BOX: At driver's side include a custom metal box that is approximately 14"-15" deep, 8" tall plus solid metal lid, and is the length of the body compartment. Opening shall have a hinge at the bottom and be lockable from the top with a keyed lock.



- 4.27.16 **BUMPER:** Heavy duty, minimum 7-gauge formed channel, recessed for trailer ball. Rear step bumper must include a heavy duty, adjustable height pintle hitch, with a 2" tow ball. Rear bumper must include a heavy duty 6" jaw width, 6" jaw opening with a 180 degree swivel base with lockdown and powder coated vise. Vise shall have large anvil work surface with built-in pipe jaws to handle various pipe sizes. Vise shall be mounted curb side using a powder coated bracket that is color matched to vehicle; Wilton 656 HD or equal.
- 4.27.17 **TOW PACKAGE:** Tow package to include OEM in-cab mounted trailer brake controller and both a 7-blade trailer connector and 7-round pin trailer connector.
- 4.27.18 **BACK UP CAMERA:** Units shall be equipped with a backup camera with a color display mounted to dash.
- 4.27.19 **BACK UP SENSOR & ALARM:** Trucks shall be equipped with rear back up sensors with audible alarm to be heard inside the cab
- 4.27.20 **RUNNING BOARDS:** Truck shall come equipped with running boards. Running boards shall be the widest available for the model of truck that is bid and have a non-slip surface to provide safe entry and exit of vehicle and have a minimum weight limit of 500 lbs.
- 4.27.21 **MISCELLANEOUS:** This item will be replacing #056612, 127112, and 146412 used by Public Works for traffic sign maintenance.

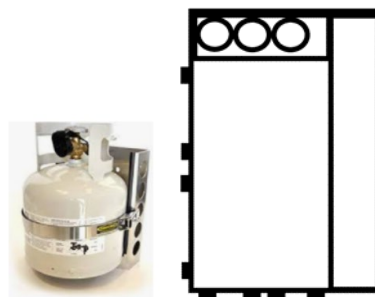
4.28	ITEM	QUANTITY	DESCRIPTION
	26	1	Crew Cab 4x2 Custom Bed Truck – Dual Rear Wheel (DRW)
4.28.1	ENGINE: Minimum 6 cylinder diesel engine capable of producing a minimum 330 HP.		
4.28.2	GVWR: Minimum 18,000 lbs.		
4.28.3	TRANSMISSION/DRIVE: Automatic with overdrive; 5 speed minimum; Power Steering; 4x2 drive train.		
4.28.4	SUSPENSION: Heaviest Duty available to include heavy duty shock absorbers and independent struts with stabilization.		
4.28.5	BRAKES: Equipped with 4-wheel braking system, and front vented discs minimum.		

- 4.28.6 **DIMENSIONS:** 4 door cab configuration. 56" cab to axle minimum. Wheelbase shall be a minimum of 169" (inches).
- 4.28.7 **WHEELS & TIRES:** Unit shall be equipped with dual rear tires and wheels. Tires shall meet or exceed minimum gross vehicle weight rating of vehicle, maximum traction tread design with full size matching spare tire and wheel. Rear tires shall be equipped with a Cats Eye TPMS or approved equal.
- 4.28.8 **FUEL SYSTEM:** Unit shall have a minimum fuel capacity of 24-gallons. Fuel filtration system shall include primary and secondary filter with water separator. DEF tank shall be equipped with gauge inside cab, if applicable.
- 4.28.9 **MIRRORS:** OEM standard type inside. Power mirrors outside, left and right, collapsible, below eye level type. Driver and passenger mirror configuration shall be equipped with convex type mirrors. Recreational swing or telescoping type are acceptable. Largest size available in model offered. Remote controlled from driver.
- 4.28.10 **SEATING:** Vehicle shall be equipped with a 40/20/40 front bench and single rear bench seat, vinyl seat and upholstery.
- 4.28.11 **FLOOR:** Unit shall be equipped with dark vinyl flooring.
- 4.28.12 **BODY:** Truck shall be equipped with a 9 ft custom flatbed with low profile toolbox sides that are weather resistant, bottom hinge opening:



- 4.28.12.1 **PROPANE TANK HOLDERS:** Directly behind cab, shall be a single compartment from the driver side to the back of the side compartments (see graphic) containing 3 propane storage holders capable of vertically securing standard 20lb and/or 40lb propane tank for transport. Compartment shall be sectioned off to prevent truck contents from hitting the tanks. Compartment shall be sectioned off to prevent truck contents from hitting the tanks.

Examples of placement and propane tank location:



- 4.28.12.2 **SIDE COMPARTMENT:** Located on the passenger side of flatbed shall be a metal storage toolbox from cab to rear of bed. Construction shall be metal with doors as shown in the photo below. Doors must be supported with chains and said chains should not interfere with closing of the door. Box shall have a minimum depth of 12" and be 18" high with at least 2 doors with 40" or greater width.



4.28.12.3 CUSTOM EXPANDED METAL BOX: On top of side compartment in 4.28.2a shall be a custom metal box that is the same depth as toolboxes, 8" tall plus solid metal lid, and is the length of the body compartment. Opening shall have a hinge at the bottom and be lockable from the top with a keyed lock.



4.28.12.4 STAKE PANELING: Driver side and rear of flatbed shall be enclosed with stake mounted paneling. Paneling shall be welded to removal stakes and constructed with minimum 11 gauge metal, 15"-18" tall with width no greater than 54" for a single panel. Stake panels must be capable of linking to each other with a pin. See graphic representation from 4.28.12.1.

4.28.12.5 HEADACHE RACK: Truck shall have a mesh, louvered, or other metal design intended for cab protection.

4.28.12.6 UNDER BODY STORAGE BOX: Lockable single compartment storage box shall be mounted under the bed, behind the cab area and ahead of the rear wheels. Storage box dimensions shall be 18" (inch) high x 18" (inch) deep x 36" (inch) wide. 1 Storage box shall be located street side and 1 storage box shall be located curbside.

4.28.13 STEP BARS: Bed shall be equipped with two (2) step bars, one on each side. Steps bars shall have a non-slip surface to provide safe entry and exit of vehicle and have a minimum weight limit of 500 lbs.

4.28.14 LIGHTING: Truck shall be equipped with two (2) amber beacons that are visible above the cab. Light controls shall be installed on the truck dash or factory up fitter switches, either shall be accepted.

4.28.15 BACK UP CAMERA: Unit shall be equipped with a backup camera with a color display mounted to the dash. Camera may need to be remounted to the middle of the headache rack, since this truck will be doing significant hauling and visibility is critical.

4.28.16 BACK UP SENSOR & ALARM: Truck shall be equipped with rear backup sensors with audible alarm which can be heard inside the cab.

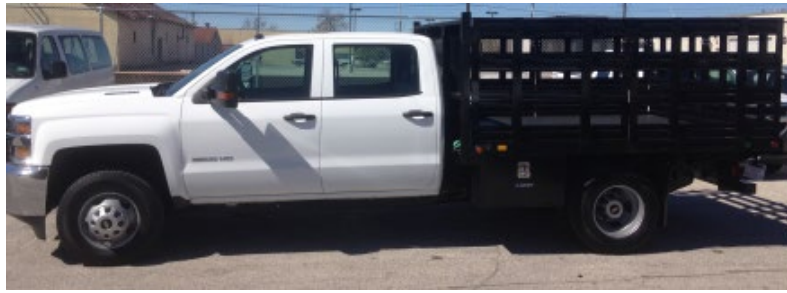
4.28.17 MUD FLAPS: Unit shall be equipped with black unmarked mud flaps with anti-sail device positioned behind the axle.

4.28.18 TOW PACKAGE: Tow package to pintle hook and 2 5/16" ball combo capable of pulling maximum weight of truck, OEM in-cab mounted trailer brake controller and both a 4-Way flat vehicle connector and 7-Way round vehicle connector (Flat Pin).

4.28.19 MISCELLANEOUS: This unit shall replace unit # 276612.

4.29	ITEM	QUANTITY	DESCRIPTION
	27	1	1 Ton 4 Door Cab 4x2 Stake Bed Truck – Dual Rear Wheels

- 4.29.1 ENGINE:** Minimum 6 cylinder diesel engine capable of producing a minimum 330 HP.
- 4.29.2 GVWR:** Minimum 10,000 lbs.
- 4.29.3 TRANSMISSION/DRIVE:** Automatic with overdrive; 5 speed minimum; Power Steering; 4x2 drive train.
- 4.29.4 SUSPENSION:** Heaviest Duty available to include heavy duty shock absorbers and independent struts with stabilization.
- 4.29.5 BRAKES:** Equipped with 4-wheel braking system, and front vented discs minimum.
- 4.29.6 DIMENSIONS:** 4 door cab configuration, 60" (inch) cab to chassis. Wheelbase shall be a minimum of 175" (inches).
- 4.29.7 WHEELS & TIRES:** Unit shall be equipped with dual rear tires and wheels and shall be equipped with a tire pressure monitoring system. Tires shall meet or exceed minimum gross vehicle weight rating of vehicle, maximum traction tread design with full size matching spare tire and wheel. Rear tires shall be equipped with a Cats Eye TPMS or approved equal.
- 4.29.8 FUEL SYSTEM:** Unit shall have a minimum fuel capacity of 24-gallons. Fuel filtration system shall include primary and secondary filter with water separator. DEF tank shall be equipped with gauge inside cab, if applicable.
- 4.29.9 MIRRORS:** OEM standard type inside. Power mirrors outside, left and right, collapsible, below eye level type. Driver and passenger mirror configuration shall be equipped with a standard and convex type mirrors. Recreational swing or telescoping type are acceptable. Largest size available in model offered. Remote controlled from driver.
- 4.29.10 SEATING:** Vehicle shall be equipped with a 40/20/40 front bench and single rear bench seat, vinyl seat and upholstery. Center console shall be equipped.
- 4.29.11 FLOOR:** Unit shall be equipped with dark vinyl flooring.
- 4.29.12 STAKE BED:** Bed shall be a minimum of 9' (Feet) long x 7.5' (Feet) wide with 40" (inch) high removable racks. Floor shall be one piece, 3/16 steel. Unit shall be equipped with a head rack with expanded metal insert to protect cab.
- 4.29.13 MUD FLAPS:** Unit shall be equipped with black unmarked mud flaps with anti-sail device positioned rear of the axle.
- 4.29.14 STEP BARS:** Unit shall be equipped with two (2) step bars, one on each side. Steps bars shall have a non-slip surface to provide safe entry and exit of vehicle and have a minimum weight limit of 500 lbs.
- 4.29.15 LIGHTING:** Truck shall be equipped with a minimum of 4 amber strobe lights. Strobes will be mounted: 2 (qty.) on front grill, and 2 (qty.) on rear body panel. Strobes shall be mounted at a height visible to surrounding motorists. Control toggle switches for strobe lighting shall be installed on the truck dash or use of factory up fitter switches, both shall be accepted. Strobes shall be surface mounted, hide-a-way type shall not be accepted.
- 4.29.16 BACK UP CAMERA:** Unit shall be equipped with a backup camera with a color display mounted to the dash.
- 4.29.17 BACK UP SENSOR & ALARM:** Truck shall be equipped with rear backup sensors with audible alarm which can be heard inside the cab.
- 4.29.18 TOW PACKAGE:** Tow package to include receiver hitch with 2" hitch opening, OEM in-cab mounted trailer brake controller and both a 4-Way flat vehicle connector and 7-Way round vehicle connector (Flat Pin).
- 4.29.19 LIFT GATE:** Unit shall be equipped with a 1,500 lbs. minimum lift capacity, heavy duty hydraulic electric power lift gate. Platform shall be two pieces with a minimum of 42" loading depth. Platform construction shall be steel or aluminum. Both shall be accepted; tuck-a-way models shall not be accepted.
- 4.29.20 MISCELLANEOUS:** These specifications shall replace #117016 for the Public Works Department.



- | 4.30 | ITEM | QUANTITY | DESCRIPTION |
|---------|--|---|--|
| | 28 | 1 | Class 4 14,001-16,000 GVW Cabover 14' Box Truck |
| 4.30.1 | ENGINE: Diesel. Minimum 4 cycle - 4 cylinders. Unit to have a minimum output of 210 HP at 2,500 RPM. | | |
| 4.30.2 | GVWR: Minimum 14,001 lbs. | | |
| 4.30.3 | TRANSMISSION/ DRIVE: Automatic with overdrive; 6 speed minimum; Power Steering. Unit to deliver minimum torque output of 440 lbs. at 1,500 RPM. | | |
| 4.30.4 | FRONT AXLE/ SUSPENSION: Axle shall be a reversed Elliot "I" beam; or equivalent, with taper-leaf spring shock absorbers and stabilizing suspension. Front axle shall have a minimum capacity of 5500 lbs. | | |
| 4.30.5 | REAR AXLE/ SUSPENSION: Axle shall be full-floating, single reduction; single speed by hypoid gearing. Taper-leaf springs with shock absorber suspension. Rear axle shall have a minimum capacity of 9800 lbs. | | |
| 4.30.6 | FRAME: Resisting bending moment to be a minimum 316,800 RBM. | | |
| 4.30.7 | BRAKES: Unit to be equipped with all three (3) types: | | |
| | 4.30.7.1 | SERVICE: Hydraulic system for front and rear with disc brakes | |
| | 4.30.7.2 | PARKING: Unit shall have a mechanical, internally expanding acting on transmission output shaft. | |
| | 4.30.7.3 | EXHAUST: Supply manufacturer design exhaust valve in exhaust pipe or provide an exhaust cut-off switch in cab. | |
| 4.30.8 | DIMENSIONS: Cab Over design. Conventional design will not be accepted. Minimum wheelbase shall be 132.5". | | |
| 4.30.9 | WHEELS & TIRES: Tires to meet or exceed minimum gross vehicle weight rating of vehicle, all season design. | | |
| 4.30.10 | FUEL SYSTEM: Minimum 30 gallon tank capacity and to be certified to run on Ultra Low Sulfur Diesel and be equipped with a Diesel Exhaust Fuel (DEF) tank; 3 gallon minimum. DEF tank gauge shall be equipped inside of cab. | | |
| 4.30.11 | MIRRORS: OEM standard type inside. Combination mirrors outside, left and right. Top shall be standard type mirror. Bottom piece shall be convex mirror. | | |
| 4.30.12 | BOX TRUCK DIMENSIONS: | | |
| | 4.30.12.1 | OUTSIDE BOX LENGTH: 14' feet 5" inches | |
| | 4.30.12.2 | INSIDE BOX LENGTH: 13' feet 11" inches | |
| | 4.30.12.3 | FLOOR: One 1/8" inch laminated hardwood floor | |
| | 4.30.12.4 | REAR DOOR WIDTH: 88" inches | |

4.30.12.5 REAR DOOR HEIGHT: 79.25" inches

4.30.12.6 LOADING HEIGHT: 46" (inches) minimum, 52" (inches) maximum.

4.30.13 E-TRACKS/ WOODEN SLATS: Inside box shall be equipped with 1 row of E-Tracks on each side to secure cargo from shift during transport. E-Track shall be mounted 36" (inches) from floor of cargo box.

4.30.14 CORNER CAPS / RADIUS: Shall be constructed of to be rounded aluminum.

4.30.15 ROOF: Roof to be one aluminum sheet with anti-snap roof bows on 24" inch centers with crowned roof design which will prevent water/ice pooling.

4.30.16 SIDING: Box exterior material to be .040 aluminum sheets pre-painted white.

4.30.17 INTERIOR LIGHTS: Unit to be equipped with an LED interior dome light. Dome light switch will be located near the door of the box.

4.30.18 EXTERIOR LIGHTS: All exterior lighting shall be LED lights. Unit shall be equipped with a total of 4 (qty.) amber color LED strobe lights; 2 (qty.) on the front grill and 2 (qty.) on the rear body panel. Strobes shall be wired to a factory type or toggle switch inside of the cab.

4.30.19 SAFETY: Unit shall be supplied with rear back up camera, back up sensors, and an audible back up alarm.

4.30.20 MISCELLANEOUS: These specifications are for an additional unit to the City.

4.31 ITEM QUANTITY DESCRIPTION

29 1 Medium Duty, Regular Cab, 16.5ft Stake/Flat Bed Truck

4.31.1 TRUCK: Regular door cab with grab handles, tilt hood, and fenders. Truck is to be equipped with running boards at every door. Engine will have automatic shutdown feature enabled after 5-minutes of idle time.

4.31.2 ENGINE: Diesel, minimum 270 HP.

4.31.3 GVWR: Replacing a truck that is 25,999 lbs.; Class 6.

4.31.4 TRANSMISSION/DRIVE: Electronic 5 speed (minimum) automatic transmission capable of a minimum 660 lbs. torque power output at 1,300 RPM.

4.31.5 FRAME: Minimum 1,275,000-RBM

4.31.6 FRONT AXLE: Minimum 8,500 lbs., equipped with hub piloted steel hubs, out-board mount type brake drums with Stemco (or equal) front wheel visible cap bearing oiler. Front shock absorbers to be heaviest duty available for specified axle.

4.31.7 REAR AXLE: Minimum 15,000 lbs., two speeds, ratio geared to attain 65 mph +/-2 mph, equipped with hub piloted steel hubs, out-board mount type brake drums. Unit shall have a maximum of 300 ft. per minute in low speed. Stemco (or equal) oil rear seals.

4.31.8 WHEELS & TIRES: Wheels to be 10 hole hub piloted steel disk wheel, minimum 11R-22.5R steel belted tubeless radials, minimum load range G tires. Front tires to be conventional tread. Rear dual wheel application to be on-off, self-cleaning, lug design. Loose lug indicators on front and rear wheels.

4.31.9 BRAKES: Full air, S-cam type, manufacturer's heavy duty brake shoes, spring set parking brakes. Front and rear automatic slack adjusters. Minimum 13 CFM compressors with automatic drain valves and pull chains accessible from the side of the truck. Spring set parking brakes on both rear axles. Quick connect couplings to be located in a protected area near the front bumper. Couplings will not be mounted to the bumper. Female coupling 1/2" to air tanks.

4.31.10 FUEL SYSTEM: To be equipped with under cab minimum 50 gallon left and right hand tanks. Fuel filtration system to include primary and secondary type fuel filters with automatic water separator. DEF tank to be equipped with gauge inside cab, if applicable. Fuel tank and DEF tank shall be mounted street side and shall be delivered full.

4.31.11 EXHAUST SYSTEM: Exhaust system to mounted underneath unit. (NO EXCEPTIONS)

4.31.12 MIRRORS: Upgrade to the largest mirrors available for model offered with convex corners.

4.31.13 TOW HOOKS: Two front tow hooks installed on frame and strengthened sufficiently to lift, pull, and tow truck without damaging bumper or other body parts.

4.31.14 UNIT TO BE EQUIPPED WITH THE FOLLOWING:

4.31.14.1 Minimum one (1) electrical and one (1) air horns that meet DOT standards.

4.31.14.2 Integral power steering.

4.31.14.3 Adjustable driver seat/ bench passenger seating.

4.31.14.4 Turn indicators, front and rear, stop and taillights.

4.31.14.5 Windshield washers and variable speed wipers.

4.31.14.6 Adjustable steering column.

4.31.14.7 Power Port/ USB charging port.

4.31.14.8 DOT triangle kit and reflector flare kit securely mounted in the cab.

4.31.14.9 5-lb ABC rated fire extinguisher securely mounted in cab.

4.31.14.10 SAFTEY: An audible back up alarm that can be heard by outside passersby and from inside the cab. Vehicle shall have a dash mounted monitor, minimum 9", that is automatically activated when vehicle is placed in reverse.

4.31.15 TOW PACKAGE: Unit to be equipped receiver type tow package hitch. A removable pintle/ball hitch combo sleeve to be used with a lock & pin mechanism to keep sleeve in place during use. Tow capacity to be a minimum 17,000 lbs.

4.31.16 SPECIFICATIONS FLATBED BODY:

4.31.16.1 LENGTH: 16 feet and 6 inches (16.5')

4.31.16.2 WIDTH: Ninety inches (90") minimum

4.31.16.3 LONGITUDINAL SILLS: Minimum four inch (4") channel, 5.6 pound, high strength steel

4.31.16.4 CROSS SILLS: Minimum four inch (4") formed box channel of "C" section high strength steel, eleven (11) gauge. All cross sills to be welded to longitudinal sills on all sides.

4.31.16.5 SIDE AND END RAILS: Unit to be equipped with 3 individual toolboxes equal the length of the flatbed from cab to end on both sides. Toolboxes are to be lockable. Each toolbox is to be 12" H x 12" D x 5' L and OEM Black. A lockable bar the length of the 3 toolboxes on both sides of the bed to be equipped to secure contents in storage boxes.

4.31.16.6 FLOOR: Minimum three sixteenths inch (3/16"), steel tread plate with floor welded to cross members, or minimum one eighth inch (1/8") steel tread plate with a minimum of five (5) floor support long sills, formed of twelve (12) gauge steel channel

4.31.16.7 LIGHTING: Two (2) amber reflectors; four (4) red reflectors; two (2) combination stop and turn signal lights; four (4) clearance lights (mounted on left and right rub rails). Stop lights, turn

signals, backup, marker, and clearance lights shall be LED-type. All lights and reflectors are required to meet State inspection requirements

4.31.16.8 TAILGATE: Unit will have a hinged double swing type door as tailgate. Hinges will be welded to rear of toolboxes on both sides and a latch lock will be equipped in the middle. Double swing door tailgate will be 12”H (same as toolboxes) and be 3/8” inch steel. Tailgate with be OEM Black

4.31.16.9 HEADACHE RACK: Unit will come equipped with a headache rack at front of cab. Rack will have a mesh “see thru” type material for safety. Rack will be equipped with two (2) amber beacon lights on both sides at front of cab. Rack will be OEM Black.

4.31.17 SPECIFICATIONS HYDRAULIC/ ELECTRIC LIFT GATE:

4.31.17.1 LIFTGATE: Hydraulic electric rail gate lift gate to be equipped at back of unit. Tuck-under will not be accepted. Lift to extend/fold down to a minimum 55” L with a minimum 84” W. Material to be a tread plate design. Lift capacity to be no less than 3,000 lbs. Platform to have a 4” inch taper down to assist with loading. Lift gate to be equipped with a safety latch locking folded platform in place when not in use.

4.31.18 MISCELLANEOUS: These specifications are to replace unit #1538



4.32	ITEM	QUANTITY	DESCRIPTION
	30	1	1 Ton Truck, Crew Cab, DRW, 2-3 Cubic Yard, 9’ Dump Body
4.32.1	ENGINE – Diesel powered, minimum 6 cylinder, engine producing a minimum 300 HP rated at manufacturer’s RPM.		
4.32.2	GVWR – Minimum 13,000 lbs.		
4.32.3	TRANSMISSION/DRIVE – Requires a minimum 6 speed heavy duty automatic transmission, 4x2 drive.		
4.32.4	CAB to AXLE – Truck cab to axle shall long enough to meet the dump body requirements.		

- 4.32.5 MIRRORS** – Equipped with OEM inside mirror; outside mirrors shall be the largest size mirrors available that are telescoping type.
- 4.32.6 WHEELS & TIRES** – Truck shall be supplied with dual rear wheels. Tires shall meet or exceed minimum gross vehicle weight rating of vehicle, all season design.
- 4.32.7 AXLE & SUSPENSION** – Truck shall be equipped with front axle that is minimum 5,250 lb. capacity and rear axle that is at minimum 7,000 lb. capacity OR matching offered truck GVWR, with applicable suspension and heavy duty shock absorbers. Truck shall be equipped with limited slip axles or equivalent.
- 4.32.8 STEERING** – Truck is required to be supplied with power steering.
- 4.32.9 BRAKES** – Supplied brakes shall be heavy duty ABS disc brakes.
- 4.32.10 FUEL TANK** – Truck must have a minimum of 40 gallon with DEF tank with corresponding dash gauge add/or low level indicator light.
- 4.32.11 CAB** – Truck shall be supplied with a crew cab. Seating shall be a 40/20/40 front bench seat with console and bench rear seating. Upholstery shall be dark gray cloth or vinyl. Cab shall be equipped with dark vinyl flooring.
- 4.32.12 SIDESTEP** – All doors at street and curb side shall each have a black colored sidestep for access ease to cab. Solid running board or single step are acceptable options.
- 4.32.13 DUMP BODY CONSTRUCTION** –Truck shall be supplied with a minimum 2 cubic yard to a maximum 3 cubic yard dump body. Dump body must include cab shield with window cutout. Dump body must be constructed of steel; steel wrapped wood shall not be accepted. Dump body shall be approximately 96” wide x 108” long. Dump body shall have a quick latch system, spreader chains and front mounted trip level with adjustable linkage. All welds must be continuous on floor seams, braces, etc., NO SKIP WELDS.
- 4.32.13.1 LONGITUDINAL SILLS:** Minimum 5” channel, 5.6 pound, high strength steel.
- 4.32.13.2 CROSS SILLS:** Minimum 3” structural channel cross members on 12” centers.
- 4.32.13.3 SIDES, CORNERS, & TAILGATE:** Dump body shall be constructed with minimum 10 gauge floor, side corners, and tailgate.
- 4.32.13.4 STORAGE BOXES:** Truck to be supplied with two (2) lockable toolboxes mounted under body near front axle at left and right side of body. Sized to fit area and maximize space available.
- 4.32.14 HYDRAULICS** - Hoist must be a class C minimum, which conforms to National Truck Equipment Association (NTEA), Hydraulic Hoist and Dump Body Classification Chart. Trucks shall be supplied with a double acting hydraulically operated hoist that offers approximately forty-five degree (45°) dump angle +/-2 degrees, with truck chassis frame tapered at rear to form a positive stop with rails of dump box at maximum dump angle. Hoist installation must provide for use of the entire cylinder stroke when reaching maximum dump angle. Controls must include capability of hoisting, holding, or lowering body.
- 4.32.15 OTHER EQUIPMENT-** All necessary clearance lights, marker lights, reflectors, mud flaps and mechanical back up alarm to be included must meet State Inspection requirement. Four High intensity amber strobe lights to be installed, two (2) in or near, the front grill and two (2) flush mounted near the top of the rear tailgates. All strobe lights, front and rear, will operate whenever ignition switch is on.
- 4.32.16 LIGHTING** – This vehicle will require a full size, amber light bar of any brand, mounted to truck roof to be visible above dump body.
- 4.32.17 TOW BUMPER** – This truck shall have a receiver hitch with a 2” hitch opening, OEM in-cab trailer brake controller and a both a 4-way flat vehicle connector and a 7-way flat pin round vehicle connector.
- 4.32.18 BACK UP CAMERA** – Units shall be equipped with a backup camera with a color display mounted to dash.
- 4.32.19 BACK UP SENSOR & ALARM** – Trucks shall be equipped with rear back up sensors with audible alarm to be heard inside the cab

4.32.20 COLOR – Truck shall be painted Dupont B8779 (FAA safety regulation moving vehicle color).

4.32.21 MISCELLANEOUS - This bid item is replacing a (1) 2013 Ford F-350 dump truck that is used at the San Antonio International Airport. The Aviation department is replacing #184813.



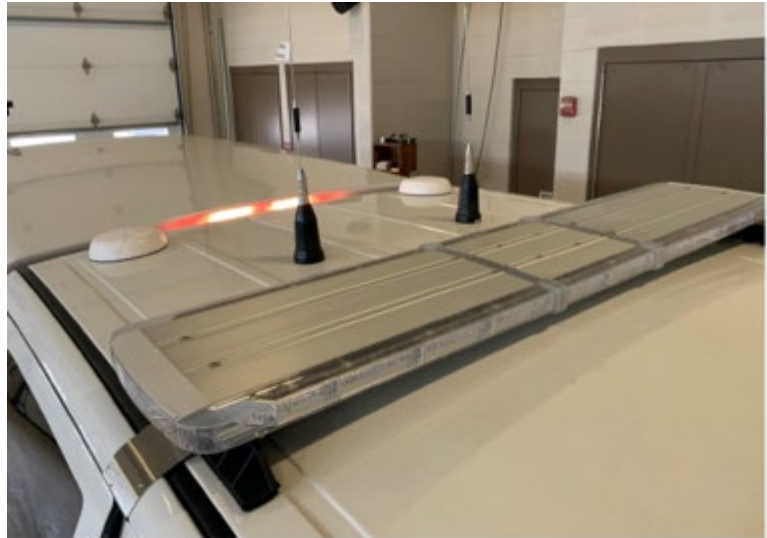
- | 4.33 | ITEM | QUANTITY | DESCRIPTION |
|---------|---|----------|--|
| | 31 | 1 | ¾ Ton, Crew Cab, SRW, AWD, Long Bed Truck w/ Camper |
| 4.33.1 | ENGINE: Gasoline powered, engine with a minimum of 360 HP. | | |
| 4.33.2 | GVWR: Minimum 9,000 lbs. | | |
| 4.33.3 | TRANSMISSION/DRIVE: Minimum 6 speed heavy-duty automatic shifter with external oil cooler and column mounted gear selector; all-wheel drive train with electronic knob activation. Trucks shall be supplied with limited slip rear axles. | | |
| 4.33.4 | SUSPENSION: Heaviest duty available to include heavy duty shock absorbers, Independent struts with stabilization. | | |
| 4.33.5 | DIMENSIONS: Four Full door, crew cab configuration. Pick-up box length shall be long bed design and a minimum of 78" inches. Wheelbase to be a minimum of 159". | | |
| 4.33.6 | BRAKES: Equipped with 4-wheel automatic braking system, and front/rear disc brakes minimum. | | |
| 4.33.7 | TIRES & WHEELS: Tires to meet or exceed minimum gross vehicle weight rating of vehicle, all terrain design with full size matching spare tire and wheel. Jack Lug Wrench and all associated tools to be included. | | |
| 4.33.8 | FUEL SYSTEM: Fuel tank shall hold a minimum of 25 gallons of gasoline. | | |
| 4.33.9 | MIRRORS: OEM Standard type inside. Power mirrors outside, left and right, collapsible, below eye level type. Recreational swing or telescoping type. Largest available in model offered. Remote controlled from driver. | | |
| 4.33.10 | CHASSIS STEPS: Each Side of chassis cab shall have running boards with sure grip steps, installed the full length of cab. | | |
| 4.33.11 | CAMPER SHELL: Cab high, ARE aluminum camper shell, model DCU with full rear door (equivalent must be reviewed by Aviation Fire). Unit shall have LED third brake light. One Whelen PSCOMPH 12 volt LED lights mounted inside to the top/rear of the shell and wired to constant power source with circuit protection in lieu of camper shell interior light. Switch shall be above tailgate level to be able to activate with tail gate closed. Shell shall be painted to match color of truck. Camper shell doors shall be equipped with vehicle-controlled locking mechanism | | |
| 4.33.12 | TOW PACKAGE: OEM Rear bumper tow package to include receiver hitch with 2" hitch opening, OEM in-cab mounted trailer brake controller and both a 4-way flat vehicle connector and 7-way round vehicle connector (Flat Pin). Meets or exceeds max rated capacities of vehicle. | | |
| 4.33.13 | BACKUP CAMERA: Integrated Back up camera shall be installed and shall be activated automatically when vehicle is placed in reverse. Screen shall be integrated into Rear View Mirror, or manufacturer's standard location. | | |

CONVERSION:

- 4.33.14 BUMPER REPLACEMENT:** Black replacement bumper on front, Ranch Hand Part# GGD191BL1 (or approved equivalent with proposed substitute manufacturer's literature submitted with bid).
- 4.33.15 BATTERY POWER:** Vehicle shall have 1 Blue Sea 20A Battery Link Battery Charger Model 7608 installed to dominant and auxiliary batteries. System shall be wired to duplex plug that is powered by external shore power on driver side near front of bed of truck. Provide one Optima N99D34MBLUE battery with White Rogers 200 amp solenoid, type installed in a 14" x14"x14" aluminum auxiliary box in center of floor in front of rear seat. This circuit will provide power to auxiliary equipment and will charge off shore power or vehicle alternator. Schematics to be provided.
- 4.33.16 AUXILIARY POWER CIRCUIT:** The vehicle shall have an auxiliary power circuit powered by 50 amp solenoid activated by a toggle switch located on the front side of console. This will power a Blue Sea brand 6 circuit fuse block inside the console. In addition, there will be one battery direct 6 circuit Blue Sea Brand fuse block located inside the console.
- 4.33.17 SHORE POWER:** One Blue Sea Sure Eject 7851 should be installed on driver side of camper shell. This will power a duplex type 120 volt plug in the battery box for the BlueSea Battery Charger. Cover of shore power plug will be red.
- 4.33.18 REMOTE UNLOCK:** A weather protected switch shall be installed on the grill guard behind passenger side speaker Whelen speaker that will allow remote lock and unlock of chassis doors. Switch shall face the ground as to prevent water from collecting in switch.
- 4.33.19 EMERGENCY LIGHTING: Aviation Fire to supply emergency lighting for installation by vendor.**
- 4.33.20 SIREN/SPEAKERS:** One SLSA1 200 Watt Siren with two Whelen SA315P Speakers mounted on front push bumper with a SAK1 speaker bracket.
- 4.33.21 EQUIPMENT CONTROLLER:** One Whelen WEPC8R will be installed towards front of console towards driver side. Eight buttons will be set to control lights as laid out by Aviation Fire Department. All emergency lights will be activated by one button. In addition, there will be a separate button that when activated will power all rear warning lights.
- 4.33.22 INTERIOR LIGHT:** One Whelen 3SRCCDCR (Red/White) will be installed in headliner over passenger seat with an activation switch on the center console. Rocker switch position to be decided by SAFD Apparatus committee.
- 4.33.23 COMMUNICATION EQUIPMENT:** Following equipment will be provided and installed:
- 4.33.23.1** One Harris MA/com Unity Mobile Radios, model # XG100M (remote head).
 - 4.33.23.2** One – CP-1020-1 Pan Antenna
 - 4.33.23.3** One – CP-1030-1 Pan Antenna
 - 4.33.23.4** Antennas to be mounted on roof evenly spaced behind lightbar
 - 4.33.23.5** Getac K120 with following:
 - 4.33.23.6** Intel® Core™ i7-8550U Processor 1.8GHz -W/ Webcam –
 - 4.33.23.7** Microsoft Windows 10 Pro x64 with 16GB RAM 256GB SSD
 - 4.33.23.8** Sunlight Readable Full HD LCD + Touchscreen
 - 4.33.23.9** Rear Camera + Hard Tip stylus
 - 4.33.23.10** AC Adapter + US Power cord -(Without Keyboard Dock)
 - 4.33.23.11** Wifi+BT
 - 4.33.23.12** HF RFID
 - 4.33.23.13** 3 Year B2B Warranty
 - 4.33.23.14** Extended Warranty- Tablet (Year 4 & 5)
 - 4.33.23.15** TG3,KBA-BLTXR-G4460-5US,TG3 83 Key, Rubber, Backlit, Touchpad, USB, Coiled Cord
 - 4.33.23.16** No logo, bundled 5 year "no fault" warranty
 - 4.33.23.17** Getac will be mounted on Havis Dock K120 (Tablet) - Havis Vehicle Docking w/o Tri-Passthrough (include 120W vehicle adapter)
 - 4.33.23.18** Cradlepoint Model IBR 1700 with Netcloud essentials for mobile routers plus MC400-1200M Wireless Cellular Modem.
 - 4.33.23.19** ICOM A220M Dual Airband VHF Mobile radio.
- 4.33.24 CONSOLE:** Vehicle shall be equipped with a custom poly-console that provides a mounting location for

emergency lighting and siren controls.

- 4.33.25 INSTALLS:** All necessary wiring, looms, fuses and fasteners shall be included. All wiring shall be secured in a manner as to not cause a catch hazard.
- 4.33.26 GRAPHICS:** All graphics will be 3M Reflective or 3M Diamond grade vinyl. All graphics shall be presented either electronically or paper form and signed off by Aviation Fire Department representative during preconstruction conference. Graphics at minimum will include vehicle number, 1-6-1 stripe on each side and Ruby Red and Lemon Yellow diamond grade chevron on rear of vehicle. In addition, a star of life and the Aviation Fire Department Logo including ISO Class 1 will be installed over the rear chevron.
- 4.33.27 WARRANTY:** All upfit installations will have five-year warranty for parts and labor. Warranty facility must be within 50 miles of City Hall, or vendor provides transportation to and from vehicle location, or onsite technician for repairs at no cost to the City.





4.34	ITEM	QUANTITY	DESCRIPTION	
		32	1	¾ Ton Crew Cab Utility Service Truck w/ Tow Hitch, Yellow
4.34.1	ENGINE:		Gasoline powered engine capable of producing a minimum of 360 HP.	
4.34.2	GVWR:		minimum 10,000 lbs.	
4.34.3	TRANSMISSION/DRIVE:		Automatic transmission with overdrive; 6 speed minimum.	
4.34.4	SUSPENSION:		Heaviest duty available to include heavy duty shock absorbers and independent struts with stabilization.	
4.34.5	CAB TO AXLE:		Truck shall be 56" cab to axle length.	

- 4.34.6 BRAKES:** Equipped with 4-wheel automatic braking system and front vented discs at minimum.
- 4.34.7 TIRES & WHEELS:** Trucks shall be a single rear wheel design. Tire pressure monitoring system is required. Tires must meet or exceed minimum gross vehicle weight rating of vehicle.
- 4.34.8 FUEL SYSTEM:** Fuel tank shall hold a minimum of 30 gallons of gasoline.
- 4.34.9 MIRRORS:** Equipped with OEM inside mirror; outside mirrors shall be the largest size mirrors available that are telescoping type.
- 4.34.10 CAB:** Truck shall be supplied with a crew cab. Front seating shall be a 40/20/40 front bench seat with console and a rear bench seat. Upholstery shall be dark gray cloth or vinyl. Cab shall be equipped with dark vinyl flooring.
- 4.34.11 LIGHT BAR:** Vehicle shall be supplied with a minimum 53" Amber LED light bar with a minimum of 3 flash patterns. Lighting shall be activated with dash mounted switches.
- 4.34.12 HEADACHE RACK:** Truck shall be equipped with a headache rack.
- 4.34.13 UTILITY BODY SPECIFICATIONS:** Body shall be Rawson-Koenig Utility Bed or other equivalent body manufacturer. Body shall be constructed of 14 gauge steel with welded seams.
- 4.34.14 BODY DIMENSIONS:**
- 4.34.14.1 Length:** Approx. Ninety-six inches (96").
- 4.34.14.2 Width:** Approx. Seventy-eight inches (78").
- 4.34.14.3 Height:** Approx. Minimum thirty-nine inches (39").
- 4.34.15 BODY COMPARTMENTS:** Left and right front compartments to be full height, approximately 26" to 33" wide, 14" to 15" deep. Right front compartment to have roll-out toolbox tray and one adjustable removable shelf with a minimum of six (6) dividers. Left front compartments are to have three (3) adjustable removable shelves with a minimum of six (6) adjustable dividers each. Right and left horizontal compartment to have a reinforced shelf, each with a minimum of ten (10) adjustable dividers for each side. Horizontal compartments to be minimum 14-1/2" wide, 59" to 68" long and a minimum of 17" high. Rear doors to be half or full size when horizontal compartment extends through rear door. Lower rear compartment must have one (1) adjustable removable shelf with a minimum of four (4) adjustable dividers. All doors to be weather-sealed and positive horizontal door holders. Master locking system must be used.
- 4.34.16 BUMPER:** Heavy duty, minimum 7-gauge formed channel, recessed for trailer ball. Rear step bumper must include a heavy duty, adjustable height pintle hitch, with a 2" tow ball.
- 4.34.17 TOW PACKAGE:** Tow package to include OEM in-cab mounted trailer brake controller and both a 4-wire flat adjacent to the 7-blade trailer connector and 7-round pin trailer connector.



- 4.34.18 BACK UP CAMERA:** Units shall be equipped with a backup camera with a color display mounted to dash.
- 4.34.19 BACK UP SENSOR & ALARM:** Trucks shall be equipped with rear back up sensors with audible alarm to be heard inside the cab

- 4.34.20 **COLOR:** Truck shall be painted Dupont B8779 (FAA safety regulation moving vehicle color).
- 4.34.22 **MISCELLANEOUS:** This item will be replacing #1938 for the Airport Facilities Maintenance Division.

4.35	ITEM	QUANTITY	DESCRIPTION
	33	3	3/4 Ton Truck, Crew Cab, 4X2/RWD, Long Bed, SRW, Yellow

- 4.35.1 **ENGINE:** Gasoline engine capable of producing a minimum 300 HP.
- 4.35.2 **GVWR:** Minimum 9,000 lbs.
- 4.35.3 **TRANSMISSION/DRIVE:** Automatic with overdrive; 5 speed minimum; Power Steering; 4x2/RWD drive.
- 4.35.4 **SUSPENSION:** Heaviest Duty available to include heavy duty shock absorbers and independent struts with stabilization.
- 4.35.5 **BRAKES:** Equipped with 4-wheel brake system, and front vented discs minimum.
- 4.35.6 **DIMENSIONS:** Crew cab configuration. Pick-up box length shall be a minimum 96" inches.
- 4.35.7 **WHEELBASE:** Wheelbase to be a minimum 160 inches.
- 4.35.8 **WHEELS & TIRES:** Tires must meet or exceed the minimum gross vehicle weight rating of vehicle and must be an all season design.
- 4.35.9 **FUEL SYSTEM:** Minimum 25 gallon tank capacity. Unit must run on Unleaded Gasoline, 87 Octane.
- 4.35.10 **MIRRORS:** OEM standard type inside. Power mirrors outside, left and right, collapsible, below eye level type. Driver and passenger mirror configuration shall be equipped with recreational swing or telescoping type; both acceptable. Largest size available in model offered. Remote controlled from driver.
- 4.35.11 **SEATING:** Vehicle to be equipped with 40/20/40 front seating with console. Unit interior shall be vinyl seating and upholstery.
- 4.35.12 **FLOOR:** Vinyl flooring.
- 4.35.13 **BACK UP CAMERA:** Unit shall be equipped with a backup camera with a color display mounted to the dash.
- 4.35.14 **BACK UP SENSOR & ALARM:** Truck shall be equipped with rear backup sensors with audible alarm which can be heard inside the cab.
- 4.35.15 **REAR BUMPER:** OEM rear bumper and tow package to include receiver hitch with 2" hitch opening, OEM in-cab mounted trailer brake controller and both a 4-Way flat vehicle connector and 7-Way round vehicle connector (Flat Pin).
- 4.35.16 **COLOR-** Truck shall be painted Dupont B8779 (FAA safety regulation moving vehicle color).
- 4.35.17 **BED LINER -** Bed shall be provided with polyurethane material, spray on type bed liner in black color.
- 4.35.18 **MISCELLANEOUS:** This specification will replace #1907, #1964 and #1867 for the Aviation Custodial Division.

4.36	ITEM	QUANTITY	DESCRIPTION
	34	1	1/2 Ton Extended Cab 4x2/RWD Truck, Yellow

- 4.36.1 **ENGINE:** Gas powered engine capable of producing a minimum 285 HP.
- 4.36.2 **GVWR:** Minimum 6,000 lbs.

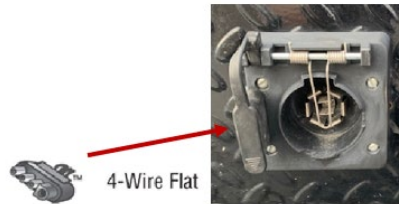
- 4.36.3 **TRANSMISSION/DRIVE:** Automatic with overdrive; 5 speed minimum; Power Steering; 4x2/RWD drive train.
- 4.36.4 **SUSPENSION:** Heaviest Duty available to include heavy duty shock absorbers and independent struts with stabilization.
- 4.36.5 **BRAKES:** Equipped with 4-wheel braking system, and front vented discs minimum.
- 4.36.6 **DIMENSIONS:** Extended or four door cab configuration. Pick-up box length shall be a minimum of 75 inches.
- 4.36.7 **WHEELBASE:** Wheelbase to be a minimum 138 inches.
- 4.36.8 **WHEELS & TIRES:** Tires must meet or exceed the minimum gross vehicle weight rating of vehicle and must be an all season design.
- 4.36.9 **FUEL SYSTEM:** Minimum 20 gallon tank capacity. Unit must run on Unleaded Gasoline, 87 Octane.
- 4.36.10 **SEATING:** Vehicle shall be equipped with 40/20/40 front seat with console and rear bench seat; vinyl seating and upholstery.
- 4.36.11 **FLOOR:** Vinyl flooring.
- 4.36.12 **BACK UP CAMERA:** Unit shall be equipped with a backup camera with a color display mounted to the dash.
- 4.36.13 **BACK UP SENSOR & ALARM:** Truck shall be equipped with rear backup sensors with audible alarm which can be heard inside the cab.
- 4.36.14 **COLOR:** Truck shall be painted Dupont B8779 (FAA safety regulation moving vehicle color
- 4.36.15 **MISCELLANEOUS:** This specification is replacing #1985 as a reconfiguration.

4.37 ITEM QUANTITY DESCRIPTION

35 1 ¾ Ton Crew Cab Truck 4x4/AWD Long Bed, Lift Gate, Brush Guard

- 4.37.1 **ENGINE:** Diesel, minimum 6 cylinder, engine capable of producing a minimum of 325 HP rated at manufacturer's RPM.
- 4.37.2 **GVWR:** 8,001 lbs. – 10,000 lbs.
- 4.37.3 **TRANSMISSION/DRIVE:** Automatic with overdrive; 6 speed minimum; Power Steering; 4x4/AWD drive train. Electric shift-on-the-fly transfer case is required.
- 4.37.4 **AXLE & SUSPENSION:** Truck shall be equipped with axles matching offered truck GVWR; with applicable suspension and heavy duty shock absorbers. Truck shall be equipped with limited slip axles or equivalent.
- 4.37.5 **BRAKES:** Equipped with 4-wheel brake system, and front vented discs minimum.
- 4.37.6 **DIMENSIONS:** Truck shall be a crew cab configuration. Cab to axle shall be a minimum of 56" long.
- 4.37.7 **WHEELBASE:** Truck shall be equipped with a minimum of 173" wheelbase.
- 4.37.8 **TRAILER HITCH:**

4.37.8.1 TRAILER HITCH – Truck shall be supplied with two trailer hitch connections at bumper rear. There shall be OEM rear bumper and tow package to include receiver hitch with 2" adjustable height tow ball. A secondary 4-wire flat adjacent to the 7-way flat pin shall also be installed to accommodate other tow behind trailers.



- 4.37.8.1 CONTROLS** - Truck shall include an OEM in-cab mounted trailer brake controller and both a 4-Way flat vehicle connector and 7-Way flat pin vehicle connector for the variety of trailers to be used with this truck.
- 4.37.9 LIGHTING:** A LED 54" amber and white light bar, or adequate size for truck offered, shall be mounted to the cab roof, with in-cab controls on dash. Light bar shall have a minimum of 2 flash patterns. Light bar shall be operated from in-cab controls mounted to upfitter switch and powers off with ignition switch.
- 4.37.10 WHEELS & TIRES:** Truck supplied shall be a single rear wheel design. Tires must meet or exceed the minimum gross vehicle weight rating of vehicle and must be an all season design tire; all terrain is not necessary. Truck shall be supplied with a full size spare tire and rim to be mounted underneath the bed of the truck.
- 4.37.11 FUEL SYSTEM:** Minimum 25 gallon tank capacity and to be certified to use diesel; and include a DEF tank per manufacturer's design.
- 4.37.12 MIRRORS:** Truck shall be supplied with extendable towing mirrors. Mirrors may be OEM or aftermarket.
- 4.37.13 SEATING:** Truck shall be designed to seat a minimum of 5, including the driver. Upholstery shall be darkest available vinyl.
- 4.37.14 FLOOR:** The interior flooring shall be vinyl. Carpet shall not be allowed.
- 4.37.15 SIDESTEP:** All doors at street and curb side shall each have a black colored sidestep for access ease to cab. Solid running board or single steps are acceptable options.
- 4.37.16 LIFT GATE:** Truck shall be supplied with a 1,600 lb. capacity heavy hydraulic electric power lift gate (non-tuck-a-way).
- 4.37.17 CAMERA SYSTEM:** Truck shall be equipped with a backup camera; camera shall be mounted under lift gate by license plate. Camera may be an aftermarket addition.
- 4.37.18 BRUSH GUARD:** Vehicle shall be supplied with a black brush guard that protects the grill, headlights, bumper, and license plate.
- 4.37.19 MISCELLANEOUS:** This truck shall replace #1901 for Aviation Fleet at the Stinson Airport.

005 - SUPPLEMENTAL TERMS & CONDITIONS

Original Contract Term.

This contract shall begin upon the effective date of the ordinance awarding the contract, or date specified in the award letter if this contract does not exceed \$50,000. This contract shall terminate upon completion of all work described herein or delivery of all goods ordered, as applicable.

Liquidated Damages for Delay:

The parties agree that the actual damages that might be sustained by the City by reason of the breach by Vendor of its covenant to make delivery within the time specified herein, is uncertain and would be difficult of ascertainment, and **that the sum of \$100.00 per day per unit for each day that delivery is late would be a reasonable compensation** for such breach. Vendor hereby promises to pay, and City hereby agrees to accept, such sum as liquidated damages, and not as a penalty, in the event of such breach. Furthermore, the parties agree that City may withhold said liquidated damages from any payments due to Vendor hereunder. If Vendor's delay exceeds 30 days, City may, at its option, elect to terminate this contract in whole or in part. In such event, City may pursue actual damages, rather than applying this liquidated damage provision.

Force Majeure.

Should performance of any obligation created under this Agreement become illegal or impossible by reason of fire, flood, storm, epidemic, pandemic, or other national or regional emergency, act of God, governmental authority, or the common enemy, or the result of war, riot, civil commotion, sovereign conduct, or any other cause not enumerated herein but which is beyond the reasonable control of the Party whose performance is affected, then the Liquidated Damages provision is suspended during the period of, and only to the extent of, such prevention or hindrance, provided the affected Party provides reasonable notice of the event of force majeure and exercises all reasonable diligence to remove the cause of force majeure.

Insurance.

Prior to the commencement of any work under this Agreement, Vendor shall furnish copies of all required endorsements and completed Certificate(s) of Insurance to the City's Finance Department - Purchasing Division, which shall be clearly labeled **"Purchase of Light and Medium Duty Service Vehicles"** in the Description of Operations block of the Certificate. The Certificate(s) shall be completed by an agent and signed by a person authorized by that insurer to bind coverage on its behalf. City will not accept a Memorandum of Insurance or Binder as proof of insurance. The certificate(s) must have the agent's signature and phone number, and be mailed, with copies of all applicable endorsements, directly from the insurer's authorized representative to City. City shall have no duty to pay or perform under this Agreement until such certificate and endorsements have been received and approved by City's Finance Department - Purchasing Division. No officer or employee, other than City's Risk Manager, shall have authority to waive this requirement.

City reserves the right to review the insurance requirements of this Article during the effective period of this Agreement and any extension or renewal hereof and to modify insurance coverages and their limits when deemed necessary and

prudent by City's Risk Manager based upon changes in statutory law, court decisions, or circumstances surrounding this Agreement. In no instance will City allow modification whereby City may incur increased risk.

A Vendor's financial integrity is of interest to City; therefore, subject to Vendor's right to maintain reasonable deductibles in such amounts as are approved by City, Vendor shall obtain and maintain in full force and effect for the duration of this Agreement, and any extension here of, at Vendor's sole expense, insurance coverage written on an occurrence basis, unless otherwise indicated, by companies authorized to do business in the State of Texas and with an A.M Best's rating of no less than A- (VII), in the following types and for an amount not less than the amount listed below:

TYPE	AMOUNTS
1. Workers' Compensation	Statutory
2. Employers' Liability	\$1,000,000/\$1,000,000/\$1,000,000
3. Commercial General Liability Insurance to include coverage for the following: a. Premises/Operations b. Products/Completed Operations c. Personal/Advertising Injury d. Contractual Liability	For <u>Bodily Injury</u> and <u>Property Damage</u> of \$1,000,000 per occurrence. \$2,000,000 General Aggregate, or its equivalent in Umbrella or Excess Liability Coverage
4. Business Automobile Liability a. Owned/leased vehicles b. Non-owned vehicles c. Hired Vehicles	<u>Combined Single Limit</u> for <u>Bodily Injury</u> and <u>Property Damage</u> of \$1,000,000 per occurrence

Vendor agrees to require, by written contract, that all subcontractors providing goods or services hereunder obtain the same insurance coverages required of Vendor herein, and provide a certificate of insurance and endorsement that names Vendor and City as additional insureds. Vendor shall provide City with said certificate and endorsement prior to the commencement of any work by the subcontractor. This provision may be modified by City's Risk Manager, without subsequent City Council approval, when deemed necessary and prudent, based upon changes in statutory law, court decisions, or circumstances surrounding this agreement. Such modification may be enacted by letter signed by City's Risk Manager, which shall become a part of the contract for all purposes.

As they apply to the limits required by City, City shall be entitled, upon request and without expense, to receive copies of the policies, declaration page, and all endorsements thereto and may require the deletion, revision, or modification of particular policy terms, conditions, limitations, or exclusions (except where policy provisions are established by law or regulation binding upon either of the parties hereto or the underwriter of any such policies). Vendor shall be required to comply with any such requests and shall submit a copy of the replacement certificate of insurance to City at the address provided below within 10 days of the requested change. Vendor shall pay any costs incurred resulting from said changes.

City of San Antonio
Attn: Finance Department-Purchasing Division
P.O. Box 839966
San Antonio, Texas 78283-3966

Vendor agrees that with respect to the above required insurance, all insurance policies are to contain or be endorsed to contain the following provisions:

Name City, its officers, officials, employees, volunteers, and elected representatives as additional insureds by endorsement, as respects operations and activities of, or on behalf of, the named insured performed under contract with City, with the exception of the workers' compensation and professional liability policies.

Provide for an endorsement that the "other insurance" clause shall not apply to the City of San Antonio where City is an additional insured shown on the policy.

Workers' compensation, employers' liability, general liability and automobile liability policies will provide a waiver of subrogation in favor of City; and

Provide advance written notice directly to City of any suspension, cancellation, non-renewal, or material change in coverage, and not less than ten (10) calendar days advance notice for nonpayment of premium.

Within five (5) calendar days of a suspension, cancellation or non-renewal of coverage, Vendor shall provide a replacement Certificate of Insurance and applicable endorsements to City. City shall have the option to suspend Vendor's performance should there be a lapse in coverage at any time during this contract. Failure to provide and to maintain the required insurance shall constitute a material breach of this Agreement.

In addition to any other remedies City may have upon Vendor's failure to provide and maintain any insurance or policy endorsements to the extent and within the time herein required, City shall have the right to order Vendor to stop work hereunder, and/ or withhold any payment(s) which become due to Vendor hereunder until Vendor demonstrates compliance with the requirements hereof.

Nothing herein contained shall be construed as limiting in any way the extent to which Vendor may be held responsible for payment of damages to persons or property resulting from Vendor's or its subcontractors' performance of the work covered under this Agreement.

It is agreed that Vendor's insurance shall be deemed primary and non-contributory with respect to any insurance or self insurance carried by City for liability arising out of operations under this Agreement.

It is understood and agreed that the insurance required is in addition to and separate from any other obligation contained in this Agreement and that no claim or action by or on behalf of City shall be limited to insurance coverage provided.

Vendor and any subcontractors are responsible for all damage to their own equipment and/or property.

Incorporation of Attachments.

Each of the attachments listed below is an essential part of this contract, which governs the rights and duties of the parties, incorporated herein by reference, and shall be interpreted in the order of priority as appears below, with this document taking priority over all attachments:

Attachment A – Price Schedule

Attachment B – City of San Antonio Local Preference Program Forms

Attachment C – Veteran-Owned Small Business Preference Program Tracking Form

006 - GENERAL TERMS & CONDITIONS

Electronic Bid Equals Original. If Vendor is submitting an electronic bid, City and Vendor each agree that this transaction may be conducted by electronic means, as authorized by Chapter 322, Texas Business & Commerce Code, known as the Electronic Transactions Act.

Delivery of Goods/Services.

Destination Contract. Vendor shall deliver all goods and materials F.O.B., City of San Antonio's designated facility, inside delivery, freight prepaid, to the address provided in this IFB or, if different, in the Purchase Order. Vendor shall bear the risk of loss until delivery. Freight charges will be paid only when expedited delivery is requested and approved in writing by the City. Vendor shall be responsible for furnishing necessary personnel or equipment and/or making necessary arrangements to off load at City of San Antonio facility, unless otherwise noted herein.

Failure to Deliver. When delivery is not met as provided for in the contract, City may make the purchase on the open market, with any cost in excess of the contract price paid by Vendor, in addition to any other direct, indirect, consequential, or incidental damages incurred by City as a result thereof. In addition, Vendor may be removed from the City's list of eligible bidders.

Purchase Orders. Each time a City department wishes to place an order against this contract, it will issue Vendor a purchase order. Vendor must have the purchase order before making any delivery.

Acceptance by City. City shall have a reasonable time (but not less than 30 days) after receipt to inspect the goods and services tendered by Vendor. City at its option may reject all or any portion of such goods or services which do not, in City's sole discretion, comply in every respect with all terms and conditions of the contract. City may elect to reject the entire goods and services tendered even if only a portion thereof is nonconforming. If City elects to accept nonconforming goods and services, City, in addition to its other remedies, shall be entitled to deduct a reasonable amount from the price thereof to compensate City for the nonconformity. Any acceptance by City, even if non-conditional, shall not be deemed a waiver or settlement of any defect in such goods and services.

Testing. After award of contract, City may, at its sole option, test the product delivered to ensure it meets specifications. Initial testing shall be at City's expense. However, if the product does not to meet specifications, Vendor shall reimburse City for the costs of testing. City may withhold the cost of testing from any amounts owed to Vendor under this or any other contract, or invoice Vendor for same. If invoiced, Vendor shall pay City within 30 calendar days of the invoice.

Warranty. A minimum of 90-days product guarantee or the manufacturer's standard commercial warranty, whichever is greater, shall apply to all products and/or services purchased under this IFB, unless otherwise specified in the Specifications/Scope of Services section of this IFB. This warranty shall provide for replacement of defective merchandise, parts, and labor, and shall include pick-up of the defective merchandise from City and delivery of the

replacement(s) to the same location. The warranty shall be effective from the date of acceptance of the merchandise, or completion of the service, as applicable.

REJECTION OF DISCLAIMERS OF WARRANTIES & LIMITATIONS OF LIABILITY. ANY TERM OR CONDITION IN ANY DOCUMENT FURNISHED BY VENDOR, DISCLAIMING THE IMPLIED WARRANTY OF MERCHANTABILITY OR OF FITNESS FOR A PARTICULAR PURPOSE, OR ATTEMPTING TO LIMIT VENDOR'S LIABILITY SHALL BE OF NO FORCE OR EFFECT, AND SHALL BE STRICKEN FROM THE CONTRACT DOCUMENTS AS IF NEVER CONTAINED THEREIN.

Invoicing and Payment.

Invoice Submissions. City requires all original first time invoices to be submitted directly to the Accounts Payable section of the Finance Department. The preferred method of delivery is electronically to the following e-mail address:

accounts.payable@sanantonio.gov

Invoices submitted electronically to the e-mail address above must be in separate .pdf format file. Multiple invoices cannot be submitted in a single .pdf file; however, Vendor may submit multiple, separate invoice files in a single e-mail. Any required documentation in support of the invoice should be compiled directly behind the invoice in the same .pdf file. Each electronically submitted file must have a unique identifying name that is not the same as any other file name.

Invoices submitted by electronic submission are only considered "original" when the submission comes directly from the Vendor to Accounts Payable using this e-mail address. Vendor may courtesy copy the ordering City department personnel on the e-mail.

Vendors not able to submit invoices with the required file formatting above may mail original invoices, on white paper only, to: City of San Antonio, Attn: Accounts Payable, P.O. Box 839976, San Antonio, Texas 78283-3976.

Information Required On Invoice.

All invoices must be in a form and content approved by the City. City may require modification of invoices if necessary in order to satisfy City that all billing is proper and pursuant to the terms of the contract. Invoices are required to show each City Purchase Order Number. Invoices must be legible. Items billed on invoices must be specific as to applicable stock, manufacturer, catalog or part number (if any). All invoices must show unit prices for each item being billed, the quantity of items being billed and the total for each item, as well as the total for all items on the invoice. If prices are based on list prices basis, then the list prices, the percentage discount or percentage surcharge, net unit prices, extensions and net total prices must be shown. Prompt payment discounts offered shall be shown separately on the invoice.

Payment by City.

In accordance with the Texas Prompt Payment Act, City shall have not less than 30 days to pay for goods or services. Time for payment, including payment under discount terms, will be computed from the later of: (1) the date City receives conforming goods under the contract; (2) the date performance of the service under the contract is completed; or (3) the date City receives a correct and valid invoice for the goods or services. Payment is deemed to be made on the date of mailing of the check. Payment is made in US dollars only.

This provision shall not apply where there is a bona fide dispute between City and Vendor about the goods delivered or the service performed that causes the payment to be late, or where the invoice is not mailed to the address provided herein.

The payment amount due on invoices may not be manually altered by City personnel. Once disputed items are reconciled, Vendor must submit a corrected invoice or a credit memorandum for the disputed amount.

NECESSITY OF TIMELY INVOICE / WAIVER OF PAYMENT. NOTWITHSTANDING THE FORGOING, THE CITY CANNOT PAY FOR ANY GOODS OR SERVICES WITHOUT AN INVOICE. VENDOR MUST INVOICE CITY NO LATER THAN 90 CALENDAR DAYS FROM THE DATE GOODS ARE DELIVERED OR SERVICES RENDERED. FAILURE TO SUBMIT AN INVOICE WITHIN SAID 90 DAYS SHALL NEGATE ANY LIABILITY ON THE PART OF CITY AND CONSTITUTE A **WAIVER BY VENDOR OF ANY AND ALL RIGHT OR CLAIMS TO COLLECT MONEYS THAT VENDOR MAY RIGHTFULLY BE OTHERWISE ENTITLED TO FOR GOODS OR SERVICES PERFORMED.**

The total price for all goods and/or services is shown on the Price Schedule. No additional fees or expenses of Vendor shall be charged by Vendor nor be payable by City. The parties hereby agree that all compensable expenses of Vendor are shown on the Price Schedule. If there is a discrepancy on the Price Schedule between the unit price for an item, and the extended price, the unit price shall govern.

Change Orders. In order to comply with Texas law governing purchases made by municipalities, the following rules shall govern all change orders made under this contract.

Any change orders that become necessary during the term of this contract as a result of changes in plans, specifications, quantity of work to be performed, materials, equipment or supplies to be furnished must be in writing and conform to the requirements of City Ordinance 2011-12-08-1014, as hereafter amended.

Any other change will require approval of the City Council, City of San Antonio.

Changes that do not involve an increase in contract price may be made by the Director.

No oral statement of any person shall modify or otherwise change, or affect the terms, conditions or specifications stated herein.

Termination.

Termination-Breach. Should Vendor fail to fulfill in a timely and proper manner, as determined solely by the Director, its material obligations under this contract, or violate any of the material terms of this contract, City shall have the right to immediately terminate the contract in whole or in part. Notice of termination shall be provided in writing to Vendor, effective upon the date set forth in the notice. City may, in City's sole discretion, provide an opportunity for Vendor to cure the default. If City elects to offer an opportunity to cure, City shall provide notice to Vendor specifying the matters in default and the cure period. If Vendor fails to cure the default within the cure period, City shall have the right, without further notice, to terminate the contract in whole or in part. Such termination shall not relieve Vendor of any liability to the City for damages sustained by virtue of any breach by Vendor.

Termination-Notice. City may terminate this contract, in whole or in part, without cause. City shall be required to give Vendor notice ten days prior to the date of termination of the contract without cause.

Termination-Funding. City retains the right to terminate this contract at the expiration of each of City's budget periods. This contract is conditioned on a best efforts attempt by City to obtain and appropriate funds for payment of any debt due by City herein.

Termination by City may be effected by Director, without further action by the San Antonio City Council.

Independent Contractor. Vendor covenants and agrees that it is an independent contractor and not an officer, agent, servant or employee of City. City shall not be liable for any claims which may be asserted by any third party occurring in connection with the services to be performed by Vendor under this contract and that Vendor has no authority to bind City. The doctrine of respondeat superior shall not apply as between City and Vendor.

INDEMNIFICATION.

VENDOR covenants and agrees to FULLY INDEMNIFY, DEFEND and HOLD HARMLESS, CITY and the elected officials, employees, officers, directors, volunteers and representatives of CITY, individually and collectively, from and against any and all costs, claims, liens, damages, losses, expenses, fees, fines, penalties, proceedings, actions, demands, causes of action, liability and suits of any kind and nature, including but not limited to, personal or bodily injury, death and property damage, made upon CITY directly or indirectly arising out of, resulting from or related to VENDOR'S activities under this Agreement, including any acts or omissions of VENDOR, any agent, officer, director, representative, employee, consultant or subcontractor of VENDOR, and their respective officers, agents employees, directors and representatives while in the exercise of the rights or performance of the duties under this Agreement. The indemnity provided for in this paragraph shall not apply to any liability resulting from the negligence of CITY, its officers or employees, in instances where such negligence causes personal injury, death, or property damage. IN THE EVENT VENDOR AND CITY ARE FOUND JOINTLY LIABLE BY A COURT OF COMPETENT JURISDICTION, LIABILITY SHALL BE APPORTIONED COMPARATIVELY IN ACCORDANCE WITH THE LAWS FOR THE STATE OF TEXAS, WITHOUT,

HOWEVER, WAIVING ANY GOVERNMENTAL IMMUNITY AVAILABLE TO THE CITY UNDER TEXAS LAW AND WITHOUT WAIVING ANY DEFENSES OF THE PARTIES UNDER TEXAS LAW. In addition, Vendor agrees to indemnify, defend, and hold the City harmless from any claim involving patent infringement, trademarks, trade secrets, and copyrights on goods supplied.

The provisions of this INDEMNITY are solely for the benefit of the parties hereto and not intended to create or grant any rights, contractual or otherwise, to any other person or entity. VENDOR shall advise CITY in writing within 24 hours of any claim or demand against CITY or VENDOR known to VENDOR related to or arising out of VENDOR's activities under this AGREEMENT and shall see to the investigation and defense of such claim or demand at VENDOR's cost. CITY shall have the right, at its option and at its own expense, to participate in such defense without relieving VENDOR of any of its obligations under this paragraph.

Assignment. Except as otherwise stated herein, Vendor may not sell, assign, pledge, transfer or convey any interest in this contract, nor delegate the performance of any duties hereunder, by transfer, by subcontracting or any other means, without the consent of Director. As a condition of such consent, if such consent is granted, Vendor shall remain liable for completion of the services and provision of goods outlined in this contract in the event of default by the successor Vendor, assignee, transferee or subcontractor. Any attempt to transfer, pledge or otherwise assign this Contract without said written approval, shall be void ab initio and shall confer no rights upon any third person.

Ownership of Documents. Pursuant to Texas Local Government Code Chapter 201, any and all Records produced by Vendor pursuant to the provisions of this contract are the exclusive property of City; and no such Record shall be the subject of any copyright or proprietary claim by Vendor. The term "Record" as used herein shall mean any document, paper, letter, book, map, photograph, sound or video recording, microfilm, magnetic tape, electronic medium, or other information recording medium, regardless of physical form or characteristic. Vendor understands and acknowledges that as the exclusive owner of any and all such Records, City has the right to use all such Records as City desires, without restriction.

Records Retention.

Vendor and its subcontractors, if any, shall properly, accurately and completely maintain all documents, papers, and records, and other evidence pertaining to the services rendered hereunder ("Documents"), and shall make such Documents available to the City at their respective offices, at all reasonable times and as often as City may deem necessary during the contract period, including any extension or renewal hereof, and the record retention period established herein, for purposes of audit, inspection, examination, and making excerpts or copies of same by City and any of its authorized representatives.

Vendor shall retain any and all Documents produced as a result of services provided hereunder for a period of four years ("Retention Period") from the date of termination of the contract. If, at the end of the Retention Period, there is litigation or other questions arising from, involving or concerning these Documents or the services provided hereunder, Vendor shall retain the records until the resolution of such litigation or other such questions. Vendor acknowledges and agrees that City shall have access to any and all such Documents at any and all times, as deemed necessary by City, during said Retention Period. City may, at its election, require Vendor to return the documents to City at Vendor's expense prior to or at the conclusion of the Retention Period. In such event, Vendor may retain a copy of the documents.

Vendor shall notify City, immediately, in the event Vendor receives any requests for information from a third party, which pertain to the Documents referenced herein. Vendor understands and agrees that City will process and handle all such requests.

S.B. 943 – Disclosure Requirements for Certain Government Contracts. For contracts (1) with a stated expenditure of at least \$1 million in public funds for the purchase of goods or services by the City, or (2) that result in the expenditure of at least \$1 million in public funds for the purchase of goods or services by the City in a given fiscal year, Vendor acknowledges that the requirements of the Texas Public Information Act, Government Code, Chapter 552, Subchapter J, pertaining to the preservation and disclosure of Contracting Information maintained by the City or sent between the City and a vendor, contractor, potential vendor, or potential contractor, may apply to this bid and any resulting contract. Vendor agrees that the contract can be terminated if Vendor knowingly or intentionally fails to comply with a requirement of that subchapter.

By submitting a bid, Bidder warrants and certifies, and a contract awarded pursuant to this IFB is made in reliance thereon, that it, has not knowingly or intentionally failed to comply with this subchapter in a previous bid or contract. City hereby relies on Vendor's certification, and if found to be false, City may reject the bid or terminate the Contract for material breach.

Severability. If any clause or provision of this contract is held invalid, illegal or unenforceable under present or future federal, state or local laws, including but not limited to the City Charter, City Code, or ordinances of the City of San Antonio, Texas, then and in that event it is the intention of the parties hereto that such invalidity, illegality or unenforceability shall not affect any other clause or provision hereof and that the remainder of this contract shall be construed as if such invalid, illegal or unenforceable clause or provision was never contained herein. It is also the intention of the parties hereto that in lieu of each clause or provision of this contract that is invalid, illegal, or unenforceable, there be added as a part of the contract a clause or provision as similar in terms to such invalid, illegal or unenforceable clause or provision as may be possible, legal, valid and enforceable.

Compliance with Law. Vendor shall provide and perform all services required under this Agreement in compliance with all applicable federal, state and local laws, rules and regulations.

Certifications. Vendor warrants and certifies that Vendor and any other person designated to provide services hereunder has the requisite training, license and/or certification to provide said services, and meets all competence standards promulgated by all other authoritative bodies, as applicable to the services provided herein.

Non-waiver of Performance. Unless otherwise specifically provided for in this Agreement, a waiver by either Party of a breach of any of the terms, conditions, covenants or guarantees of this Agreement shall not be construed or held to be a waiver of any succeeding or preceding breach of the same or any other term, condition, covenant or guarantee herein contained. Further, any failure of either Party to insist in any one or more cases upon the strict performance of any of the covenants of this Agreement, or to exercise any option herein contained, shall in no event be construed as a waiver or relinquishment for the future of such covenant or option. In fact, no waiver, change, modification or discharge by either party hereto of any provision of this Agreement shall be deemed to have been made or shall be effective unless expressed in writing and signed by the party to be charged. No act or omission by a Party shall in any manner impair or prejudice any right, power, privilege, or remedy available to that Party hereunder or by law or in equity, such rights, powers, privileges, or remedies to be always specifically preserved hereby.

Venue. Venue of any court action brought directly or indirectly by reason of this contract shall be in Bexar County, Texas. This contract is made and is to be performed in Bexar County, Texas, and is governed by the laws of the State of Texas.

Non-discrimination. As a condition of entering into this agreement, Vendor represents and warrants that it will comply with City's Commercial Nondiscrimination Policy, as described under Section III.C.1 of the SBEDA Ordinance. As part of such compliance, Vendor shall not discriminate on the basis of race, color, religion, ancestry or national origin, sex, age, marital status, sexual orientation, or on the basis of disability or other unlawful forms of discrimination in the solicitation, selection, hiring or commercial treatment of subcontractors, vendors, suppliers, or commercial customers, nor shall Vendor retaliate against any person for reporting instances of such discrimination. Vendor shall provide equal opportunity for subcontractors, vendors, and suppliers to participate in all of its public sector and private sector subcontracting and supply opportunities, provided that nothing contained in this clause shall prohibit or limit otherwise lawful efforts to remedy the effects of marketplace discrimination that have occurred or are occurring in the City's Relevant Marketplace. Vendor understands and agrees that a material violation of this clause shall be considered a material breach of this agreement and may result in termination of this agreement, disqualification of Vendor from participating in City contracts, or other sanctions. This clause is not enforceable by or for the benefit of, and creates no obligation to, any third party. Vendor shall include this nondiscrimination clause in all subcontracts for the performance of this contract.

As a party to this contract, Vendor understands and agrees to comply with the *Non-Discrimination Policy* of the City of San Antonio contained in Chapter 2, Article X of the City Code and further, shall not discriminate on the basis of race, color, religion, national origin, sex, sexual orientation, gender identity, veteran status, age or disability, unless exempted by state or federal law, or as otherwise established herein.

Attorney's Fees. The Parties hereto expressly agree that, in the event of litigation, each party hereby waives its right to payment of attorneys' fees.

State Prohibitions on Contracts:

This section only applies to a contract that:

- (1) is between a governmental entity and a company with 10 or more full-time employees; and
- (2) has a value of \$100,000 or more that is to be paid wholly or partly from public funds of the governmental entity.

"Company" means a for-profit organization, association, corporation, partnership, joint venture, limited partnership, limited

liability partnership, or limited liability company, including a wholly owned subsidiary, majority-owned subsidiary, parent company, or affiliate of those entities or business associations that exists to make a profit. This term does not include a sole proprietorship.

Prohibition on Contracts with Companies Boycotting Israel.

Texas Government Code §2271.002 provides that a governmental entity may not enter into a contract with a company for goods or services, unless the contract contains a written verification from the company that it: (1) does not boycott Israel; and (2) will not boycott Israel during the term of the contract.

"Boycott Israel" means refusing to deal with, terminating business activities with, or otherwise taking any action that is intended to penalize, inflict economic harm on, or limit commercial relations specifically with Israel, or with a person or entity doing business in Israel or in an Israeli-controlled territory, but does not include an action made for ordinary business purposes.

By submitting an offer to or executing contract documents with the City of San Antonio, Company hereby verifies that it does not boycott Israel, and will not boycott Israel during the term of the contract. City hereby relies on Company's verification. If found to be false, City may terminate the contract for material breach.

Prohibition on Contracts with Companies Boycotting Certain Energy Companies.

Texas Government Code §2274 provides that a governmental entity may not enter into a contract with a company for goods or services, unless the contract contains a written verification from the company that it: (1) does not boycott energy companies; and (2) will not boycott energy companies during the term of the contract.

"Boycott energy company" means, without an ordinary business purpose, refusing to deal with, terminating business activities with, or otherwise taking any action that is intended to penalize, inflict economic harm on, or limit commercial relations with a company because the company: (A) engages in the exploration, production, utilization, transportation, sale, or manufacturing of fossil fuel-based energy and does not commit or pledge to meet environmental standards beyond applicable federal and state law; or (B) does business with a company described in (A).

By submitting an offer to or executing contract documents with the City of San Antonio, Company hereby verifies that it does not boycott energy companies and will not boycott energy companies during the term of the contract. City hereby relies on Company's verification. If found to be false, City may terminate the contract for material breach.

Prohibition on Contracts with Companies that Discriminate Against Firearm and Ammunition Industries.

Texas Government Code §2274 provides that a governmental entity may not enter into a contract with a company for goods or services, unless the contract contains a written verification from the company that it: (1) does not have a practice, policy, guidance, or directive that discriminates against a firearm entity or firearm trade association; and (2) will not discriminate during the term of the contract against a firearm entity or firearm trade association.

"Discriminate against a firearm entity or firearm trade association": (A) means, with respect to the entity or association, to: (i) refuse to engage in the trade of any goods or services with the entity or association based solely on its status as a firearm entity or firearm trade association; (ii) refrain from continuing an existing business relationship with the entity or association based solely on its status as a firearm entity or firearm trade association; or (iii) terminate an existing business relationship with the entity or association based solely on its status as a firearm entity or firearm trade association.

By submitting an offer to or executing contract documents with the City of San Antonio, Company hereby verifies that it does not have a practice, policy, guidance, or directive that discriminates against a firearm entity or firearm trade association; and will not discriminate during the term of the contract against a firearm entity or firearm trade association. City hereby relies on Company's verification. If found to be false, City may terminate the contract for material breach.

CONTRACTS WITH COMPANIES ENGAGED IN BUSINESS WITH IRAN, SUDAN, OR FOREIGN TERRORIST ORGANIZATIONS PROHIBITED. Texas Government Code §2252.152 provides that a governmental entity may not enter into a governmental contract with a company that is identified on a list prepared and maintained under Texas Government Code §§2270.0201 or 2252.153. Vendor hereby certifies that it is not identified on such a list. City hereby relies on Vendor's certification. If found to be false, or if Vendor is identified on said list during the course of its contract with City, City may terminate the Contract for material breach.

Delinquent Taxes. In the event that Vendor is or subsequently becomes delinquent in the payment of taxes owed to the City of San Antonio, the City reserves the right to deduct any delinquent taxes from payments that the City may owe to the delinquent Vendor as a result of this contract.

Binding Contract. This contract shall be binding on and inure to the benefit of the parties hereto and their respective heirs, executors, administrators, legal representatives, and successors and assigns, except as otherwise expressly provided for herein.

Entire Agreement. This contract, including City's final electronically posted online version, together with its authorizing ordinance and its price schedule(s), addendums, attachments, purchase orders, and exhibits, if any, constitutes the final and entire agreement between the parties hereto and contains all of the terms and conditions agreed upon. No other agreements, oral or otherwise, regarding the subject matter of this contract shall be deemed to exist or to bind the parties hereto, unless same be in writing, dated subsequent to the date hereof, and be duly executed by the parties, in accordance with the Change Order provision herein. **Parties agree that City's final electronically posted online version of this solicitation contains the agreed upon specifications, scope of services, and terms and conditions of this contract, and shall control in the event of a conflict with any printed version signed and submitted by Vendor.**

007 - SIGNATURE PAGE

By submitting a bid, Bidder represents that:

(s)he is authorized to bind Bidder to fully comply with the terms and conditions of City's Invitation for Bid for the prices stated therein;

(s)he has read the entire document, including the final version issued by City, and agreed to the terms therein;

Bidder is in good standing with the Texas State Comptroller's Office; and

to the best of his/her knowledge, all information is true and correct.

Complete the following and sign on the signature line below. Failure to sign and submit this Signature Page will result in rejection of your bid.

Bidder Information:

Please Print or Type:
Bidder Information:

Please Print or Type:

Vendor ID No.: _____

Signer's Name: _____

Name of Business: _____

Street Address: _____

City, State, Zip Code: _____

Email Address: _____

Telephone No.: _____

Fax No.: _____

City's Solicitation No.: _____

Signature of Person Authorized to Sign Bid

008 - STANDARD DEFINITIONS

Whenever a term defined by the Uniform Commercial Code (“UCC”), as enacted by the State of Texas, is used in the Contract, the UCC definition shall control, unless otherwise defined in the Contract.

All-or-None Bid - an invitation to bid in which the City will award the entire contract to one bidder only.

Alternate Bid - two or more bids with substantive variations in the item or service offered from the same bidder in response to a solicitation.

Assignment - a transfer of claims, rights or interests in goods, services or property.

Bid - a complete, signed response to a solicitation. The term “bid” is synonymous with the term “offer”.

Bid Opening - a public meeting during which bid responses are disclosed.

Bidder - a person, firm or entity that submits a bid in response to a solicitation. The bidder whose bid is accepted by City may also be referred to herein as Contractor, Vendor or Supplier.

Bid Bond or Bid Guarantee - security to ensure that Bidder (a) will not withdraw the bid within the period specified for acceptance, and (b) will furnish any required bonds or performance guarantees, and any necessary insurance within the time specified in the solicitation.

Change Order - a change to the plans or specifications of the contract, or an increase or decrease in the quantity of work to be performed or of materials, equipment, or supplies to be furnished, issued by the Director after the bid has been accepted by the City.

City - the City of San Antonio, a Texas home-rule municipal corporation.

Contract - the binding legal agreement between the City and Vendor.

Contractor - the bidder whose bid is accepted by the City and is, therefore, the person, firm or entity providing goods or services to the City under a contract.

Director – the Director of City’s Finance Department - Purchasing Division, or Director’s designee.

Equal or Equivalent - terms to indicate that similar products or other brands may be acceptable for purchase if specifications and functional requirements are met.

Invitation for Bid (IFB) – a solicitation requesting pricing for a specified good or a service.

Line Item - a listing of items in a bid for which a bidder is expected to provide separate pricing.

Low Bid - a bid which is lowest in price, but may not meet all requirements or specifications.

Lowest Responsible Bidder - the bidder whose bid meets all requirements of the specifications, terms and conditions of the IFB and results in the lowest cost to the City in an award based solely on price, taking into consideration the bidder’s competence and qualifications to perform the contract.

Non-Responsive Bid - a bid or offer that does not comply with the terms and conditions, or specifications and/or requirements of the IFB.

Offer - a complete, signed response to an IFB that, if accepted, would bind the bidder to perform the resultant contract. The term “offer” is synonymous with the term “bid”.

Payment Bond - a particular form of security provided by the contractor to protect the City against loss due to the contractor’s failure to pay suppliers and subcontractors.

Performance Bond - a particular form of security provided by the contractor to protect the City against loss due to the contractor’s inability or unwillingness to complete the contract as agreed.

Performance Deposit - security provided by the contractor to protect the City against loss due to the contractor's inability or unwillingness to complete the contract as agreed.

Pre-Submittal Conference - a meeting conducted by the City, held in order to allow bidders to ask questions about the proposed contract and particularly, the contract specifications.

Purchase Order - a validly issued order placed by an authorized City department for the purchase of goods or services, written on the City's standard purchase order form, and which is Vendor's authority to deliver to and invoice the City for the goods or services specified in an IFB for the price stated in Vendor's bid.

Responsible Bidder - a bidder who is known to have the necessary competence and qualifications to perform and provide all requirements of an intended contract.

Responsive Bidder - a bidder who tenders a bid which meets all requirements of the invitation to bid and is a responsible bidder.

Sealed Bid - a bid submitted as a sealed document electronic, by a prescribed time to the location indicated in the IFB. The contents of the bid will not be made public prior to the bid opening.

Specifications - a description of what the City requires and what the bidder must offer, a description of the physical or functional characteristics of a product or material, or the nature of a service or construction item.

Subcontractor - a person, firm or entity providing goods or services to a vendor to be used in the performance of the Vendor's obligations under the contract with the City.

Supplier - the bidder whose bid is accepted by the City and is, therefore, the person, firm or entity providing goods or services to the City under a contract.

Vendor - the bidder whose bid is accepted by the City and is, therefore, the person, firm or entity providing goods or services to the City under a contract.

Waiver of Irregularity - noting, but disregarding an immaterial variance within a bid.

009 - ATTACHMENTS

Attachment A:

PRICE SCHEDULE

Revision 1, Dated October 6, 2021

Local Preference Program (LPP) Ordinance

In accordance with Chapter 271, Texas Local Government Code, the City adopted a policy, known as the Local Preference Program, described in the San Antonio City Code Chapter 2, Article XII.

This solicitation is subject to the Local Preference Program. For more information on the program, refer to the Local Preference Program Identification Form attached to this solicitation.

All bidders are required to complete and submit the Local Preference Identification form, regardless of the location of their business.

ITEM PRICING

ITEM	QUANTITY	DESCRIPTION
1	10	Compact Hybrid Sedan

PRICE EACH: \$ _____

TOTAL: \$ _____

YEAR, MAKE & MODEL OFFERED:

SPECIFIC MAKE & MODEL OF HYBRID ENGINE OFFERED (INCLUDE SAE NET HP):

TRANSMISSION OFFERED:

WARRANTY:

WARRANTY SERVICE PROVIDER FACILITY NAME:

WARRANTY SERVICE PROVIDER FACILITY ADDRESS:

DELIVERY WILL BE MADE WITHIN _____ CALENDER DAYS AFTER ISSUANCE OF PURCHASE ORDER.

PRODUCTION CUT-OFF DATE: _____.

INDICATE THE LAST DAY THAT THE CITY CAN PLACE ORDERS UNDER THIS CONTRACT WITHOUT MISSING THE PRODUCTION CUT OFF DATE: _____.

BID PRICES SHALL REMAIN FIRM FOR ALL ORDERS PLACED PRIOR TO THIS CUT OFF DATE. IN THE EVENT THAT CITY DOES NOT AWARD A CONTRACT PRIOR TO PRODUCTION CUT OFF DATE, CAN BIDDER PROVIDE BID ITEMS, AT THE BID PRICE SUBMITTED, AFTER THE PRODUCTION CUT OFF DATE? (YES/NO) _____.

ITEM	QUANTITY	DESCRIPTION
2	6	7 Passenger Mini Van with Curb and Street Side Doors

PRICE EACH: \$ _____

TOTAL: \$ _____

YEAR, MAKE & MODEL OFFERED:

SPECIFIC MAKE & MODEL OF ENGINE OFFERED (INCLUDE SAE NET HP):

TRANSMISSION OFFERED:

WARRANTY:

WARRANTY SERVICE PROVIDER FACILITY NAME:

WARRANTY SERVICE PROVIDER FACILITY ADDRESS:

DELIVERY WILL BE MADE WITHIN _____ CALENDER DAYS AFTER ISSUANCE OF PURCHASE ORDER.

PRODUCTION CUT-OFF DATE: _____.

INDICATE THE LAST DAY THAT THE CITY CAN PLACE ORDERS UNDER THIS CONTRACT WITHOUT MISSING THE PRODUCTION CUT OFF DATE: _____.

BID PRICES SHALL REMAIN FIRM FOR ALL ORDERS PLACED PRIOR TO THIS CUT OFF DATE. IN THE EVENT THAT CITY DOES NOT AWARD A CONTRACT PRIOR TO PRODUCTION CUT OFF DATE, CAN BIDDER PROVIDE BID ITEMS, AT THE BID PRICE SUBMITTED, AFTER THE PRODUCTION CUT OFF DATE? (YES/NO) _____.

ITEM	QUANTITY	DESCRIPTION
3	1	7 Passenger Mini Van with Curb Side Door

PRICE EACH: \$ _____

TOTAL: \$ _____

YEAR, MAKE & MODEL OFFERED:

SPECIFIC MAKE & MODEL OF ENGINE OFFERED (INCLUDE SAE NET HP):

TRANSMISSION OFFERED:

WARRANTY:

WARRANTY SERVICE PROVIDER FACILITY NAME:

WARRANTY SERVICE PROVIDER FACILITY ADDRESS:

DELIVERY WILL BE MADE WITHIN _____ CALENDER DAYS AFTER ISSUANCE OF PURCHASE ORDER.

PRODUCTION CUT-OFF DATE: _____.

INDICATE THE LAST DAY THAT THE CITY CAN PLACE ORDERS UNDER THIS CONTRACT WITHOUT MISSING THE PRODUCTION CUT OFF DATE: _____.

BID PRICES SHALL REMAIN FIRM FOR ALL ORDERS PLACED PRIOR TO THIS CUT OFF DATE. IN THE EVENT THAT CITY DOES NOT AWARD A CONTRACT PRIOR TO PRODUCTION CUT OFF DATE, CAN BIDDER PROVIDE BID ITEMS, AT THE BID PRICE SUBMITTED, AFTER THE PRODUCTION CUT OFF DATE? (YES/NO) _____.

ITEM	QUANTITY	DESCRIPTION
4	6	7 Passenger Mini Van with Germ Barrier

PRICE EACH: \$ _____

TOTAL: \$ _____

YEAR, MAKE & MODEL OFFERED:

SPECIFIC MAKE & MODEL OF ENGINE OFFERED (INCLUDE SAE NET HP):

TRANSMISSION OFFERED:

WARRANTY:

WARRANTY SERVICE PROVIDER FACILITY NAME:

WARRANTY SERVICE PROVIDER FACILITY ADDRESS:

DELIVERY WILL BE MADE WITHIN _____ CALENDER DAYS AFTER ISSUANCE OF PURCHASE ORDER.

PRODUCTION CUT-OFF DATE: _____.

INDICATE THE LAST DAY THAT THE CITY CAN PLACE ORDERS UNDER THIS CONTRACT WITHOUT MISSING THE PRODUCTION CUT OFF DATE: _____.

BID PRICES SHALL REMAIN FIRM FOR ALL ORDERS PLACED PRIOR TO THIS CUT OFF DATE. IN THE EVENT THAT CITY DOES NOT AWARD A CONTRACT PRIOR TO PRODUCTION CUT OFF DATE, CAN BIDDER PROVIDE BID ITEMS, AT THE BID PRICE SUBMITTED, AFTER THE PRODUCTION CUT OFF DATE? (YES/NO) _____.

ITEM	QUANTITY	DESCRIPTION
5	7	Mini Cargo Vans w/Shelving and Ladder Rack

PRICE EACH: \$ _____

TOTAL: \$ _____

YEAR, MAKE & MODEL VAN OFFERED:

SPECIFIC MAKE & MODEL OF ENGINE OFFERED (INCLUDE SAE NET HP):

TRANSMISSION OFFERED:

WARRANTY:

WARRANTY SERVICE PROVIDER FACILITY NAME:

WARRANTY SERVICE PROVIDER FACILITY ADDRESS:

MANUFACTURER OF SHELVING OFFERED:

DELIVERY WILL BE MADE WITHIN _____ CALENDER DAYS AFTER ISSUANCE OF PURCHASE ORDER.

PRODUCTION CUT-OFF DATE: _____.

INDICATE THE LAST DAY THAT THE CITY CAN PLACE ORDERS UNDER THIS CONTRACT WITHOUT MISSING THE PRODUCTION CUT OFF DATE: _____.

BID PRICES SHALL REMAIN FIRM FOR ALL ORDERS PLACED PRIOR TO THIS CUT OFF DATE. IN THE EVENT THAT CITY DOES NOT AWARD A CONTRACT PRIOR TO PRODUCTION CUT OFF DATE, CAN BIDDER PROVIDE BID ITEMS, AT THE BID PRICE SUBMITTED, AFTER THE PRODUCTION CUT OFF DATE? (YES/NO) _____.

ITEM	QUANTITY	DESCRIPTION
6	8	Full Size Cargo Van w/ Shelving and Ladder Rack

PRICE EACH: \$ _____

TOTAL: \$ _____

YEAR, MAKE & MODEL OFFERED:

SPECIFIC MAKE & MODEL OF ENGINE OFFERED (INCLUDE SAE NET HP):

TRANSMISSION OFFERED:

WARRANTY:

WARRANTY SERVICE PROVIDER FACILITY NAME:

WARRANTY SERVICE PROVIDER FACILITY ADDRESS:

MANUFACTURER OF SHELVING OFFERED:

DELIVERY WILL BE MADE WITHIN _____ CALENDER DAYS AFTER ISSUANCE OF PURCHASE ORDER.

PRODUCTION CUT-OFF DATE: _____.

INDICATE THE LAST DAY THAT THE CITY CAN PLACE ORDERS UNDER THIS CONTRACT WITHOUT MISSING THE PRODUCTION CUT OFF DATE: _____.

BID PRICES SHALL REMAIN FIRM FOR ALL ORDERS PLACED PRIOR TO THIS CUT OFF DATE. IN THE EVENT THAT CITY DOES NOT AWARD A CONTRACT PRIOR TO PRODUCTION CUT OFF DATE, CAN BIDDER PROVIDE BID ITEMS, AT THE BID PRICE SUBMITTED, AFTER THE PRODUCTION CUT OFF DATE? (YES/NO) _____.

ITEM	QUANTITY	DESCRIPTION
7	2	Sport Utility Vehicle - High Curb Clearance

PRICE EACH: \$ _____

TOTAL: \$ _____

YEAR, MAKE & MODEL OFFERED:

SPECIFIC MAKE & MODEL OF ENGINE OFFERED (INCLUDE SAE NET HP):

TRANSMISSION OFFERED:

WARRANTY:

WARRANTY SERVICE PROVIDER FACILITY NAME:

WARRANTY SERVICE PROVIDER FACILITY ADDRESS:

DELIVERY WILL BE MADE WITHIN _____ CALENDER DAYS AFTER ISSUANCE OF PURCHASE ORDER.

PRODUCTION CUT-OFF DATE: _____.

INDICATE THE LAST DAY THAT THE CITY CAN PLACE ORDERS UNDER THIS CONTRACT WITHOUT MISSING THE PRODUCTION CUT OFF DATE: _____.

BID PRICES SHALL REMAIN FIRM FOR ALL ORDERS PLACED PRIOR TO THIS CUT OFF DATE. IN THE EVENT THAT CITY DOES NOT AWARD A CONTRACT PRIOR TO PRODUCTION CUT OFF DATE, CAN BIDDER PROVIDE BID ITEMS, AT THE BID PRICE SUBMITTED, AFTER THE PRODUCTION CUT OFF DATE? (YES/NO) _____.

ITEM	QUANTITY	DESCRIPTION
8	1	Large Sport Utility Vehicle – 3 Row Seating

PRICE EACH: \$ _____

TOTAL: \$ _____

YEAR, MAKE & MODEL OFFERED:

SPECIFIC MAKE & MODEL OF ENGINE OFFERED (INCLUDE SAE NET HP):

TRANSMISSION OFFERED:

WARRANTY:

WARRANTY SERVICE PROVIDER FACILITY NAME:

WARRANTY SERVICE PROVIDER FACILITY ADDRESS:

DELIVERY WILL BE MADE WITHIN _____ CALENDER DAYS AFTER ISSUANCE OF PURCHASE ORDER.

PRODUCTION CUT-OFF DATE: _____.

INDICATE THE LAST DAY THAT THE CITY CAN PLACE ORDERS UNDER THIS CONTRACT WITHOUT MISSING THE PRODUCTION CUT OFF DATE: _____.

BID PRICES SHALL REMAIN FIRM FOR ALL ORDERS PLACED PRIOR TO THIS CUT OFF DATE. IN THE EVENT THAT CITY DOES NOT AWARD A CONTRACT PRIOR TO PRODUCTION CUT OFF DATE, CAN BIDDER PROVIDE BID ITEMS, AT THE BID PRICE SUBMITTED, AFTER THE PRODUCTION CUT OFF DATE? (YES/NO) _____.

ITEM	QUANTITY	DESCRIPTION
9	24	½ Ton Extended Cab 4x2/RWD Truck w/Strobes

PRICE EACH: \$ _____

TOTAL: \$ _____

YEAR, MAKE & MODEL OFFERED:

SPECIFIC MAKE & MODEL OF ENGINE OFFERED (INCLUDE SAE NET HP):

TRANSMISSION OFFERED:

WARRANTY:

WARRANTY SERVICE PROVIDER FACILITY NAME:

WARRANTY SERVICE PROVIDER FACILITY ADDRESS:

DELIVERY WILL BE MADE WITHIN _____ CALENDER DAYS AFTER ISSUANCE OF PURCHASE ORDER.

PRODUCTION CUT-OFF DATE: _____.

INDICATE THE LAST DAY THAT THE CITY CAN PLACE ORDERS UNDER THIS CONTRACT WITHOUT MISSING THE PRODUCTION CUT OFF DATE: _____.

BID PRICES SHALL REMAIN FIRM FOR ALL ORDERS PLACED PRIOR TO THIS CUT OFF DATE. IN THE EVENT THAT CITY DOES NOT AWARD A CONTRACT PRIOR TO PRODUCTION CUT OFF DATE, CAN BIDDER PROVIDE BID ITEMS, AT THE BID PRICE SUBMITTED, AFTER THE PRODUCTION CUT OFF DATE? (YES/NO) _____.

ITEM	QUANTITY	DESCRIPTION
10	1	¾ Ton Extended Cab 4x4/AWD, Long Bed Truck with Accessories

PRICE EACH: \$ _____

TOTAL: \$ _____

YEAR, MAKE & MODEL OFFERED:

SPECIFIC MAKE & MODEL OF ENGINE OFFERED (INCLUDE SAE NET HP):

TRANSMISSION OFFERED:

WARRANTY:

WARRANTY SERVICE PROVIDER FACILITY NAME:

WARRANTY SERVICE PROVIDER FACILITY ADDRESS:

MAKE & MODEL OF TOOLBOX OFFERED:

DELIVERY WILL BE MADE WITHIN _____ CALENDER DAYS AFTER ISSUANCE OF PURCHASE ORDER.

PRODUCTION CUT-OFF DATE: _____.

INDICATE THE LAST DAY THAT THE CITY CAN PLACE ORDERS UNDER THIS CONTRACT WITHOUT MISSING THE PRODUCTION CUT OFF DATE: _____.

BID PRICES SHALL REMAIN FIRM FOR ALL ORDERS PLACED PRIOR TO THIS CUT OFF DATE. IN THE EVENT THAT CITY DOES NOT AWARD A CONTRACT PRIOR TO PRODUCTION CUT OFF DATE, CAN BIDDER PROVIDE BID ITEMS, AT THE BID PRICE SUBMITTED, AFTER THE PRODUCTION CUT OFF DATE? (YES/NO) _____.

ITEM	QUANTITY	DESCRIPTION
11	3	1/2 Ton, Crew CAB, 4x4/AWD Short Bed Truck w/ Responder Upfitting

PRICE EACH: \$ _____

TOTAL: \$ _____

YEAR, MAKE & MODEL OFFERED:

SPECIFIC MAKE & MODEL OF ENGINE OFFERED (INCLUDE SAE NET HP):

TRANSMISSION OFFERED:

WARRANTY:

WARRANTY SERVICE PROVIDER FACILITY NAME:

WARRANTY SERVICE PROVIDER FACILITY ADDRESS:

MAKE & MODEL OF TOOLBOX OFFERED:

DELIVERY WILL BE MADE WITHIN _____ CALENDER DAYS AFTER ISSUANCE OF PURCHASE ORDER.

PRODUCTION CUT-OFF DATE: _____.

INDICATE THE LAST DAY THAT THE CITY CAN PLACE ORDERS UNDER THIS CONTRACT WITHOUT MISSING THE PRODUCTION CUT OFF DATE: _____.

BID PRICES SHALL REMAIN FIRM FOR ALL ORDERS PLACED PRIOR TO THIS CUT OFF DATE. IN THE EVENT THAT CITY DOES NOT AWARD A CONTRACT PRIOR TO PRODUCTION CUT OFF DATE, CAN BIDDER PROVIDE BID ITEMS, AT THE BID PRICE SUBMITTED, AFTER THE PRODUCTION CUT OFF DATE? (YES/NO) _____.

ITEM	QUANTITY	DESCRIPTION
12	1	¾ Ton Truck, Crew Cab, 4x4/AWD, Long Bed Truck with Camper

PRICE EACH: \$ _____

TOTAL: \$ _____

YEAR, MAKE & MODEL OFFERED:

SPECIFIC MAKE & MODEL OF ENGINE OFFERED (INCLUDE SAE NET HP):

TRANSMISSION OFFERED:

WARRANTY:

WARRANTY SERVICE PROVIDER FACILITY NAME:

WARRANTY SERVICE PROVIDER FACILITY ADDRESS:

MAKE & MODEL OF CAMPER SHELL OFFERED:

DELIVERY WILL BE MADE WITHIN _____ CALENDER DAYS AFTER ISSUANCE OF PURCHASE ORDER.

PRODUCTION CUT-OFF DATE: _____.

INDICATE THE LAST DAY THAT THE CITY CAN PLACE ORDERS UNDER THIS CONTRACT WITHOUT MISSING THE PRODUCTION CUT OFF DATE: _____.

BID PRICES SHALL REMAIN FIRM FOR ALL ORDERS PLACED PRIOR TO THIS CUT OFF DATE. IN THE EVENT THAT CITY DOES NOT AWARD A CONTRACT PRIOR TO PRODUCTION CUT OFF DATE, CAN BIDDER PROVIDE BID ITEMS, AT THE BID PRICE SUBMITTED, AFTER THE PRODUCTION CUT OFF DATE? (YES/NO) _____.

ITEM	QUANTITY	DESCRIPTION
13	1	1 Ton Extended Cab Pick Up, Long Bed, SRW, OEM Color

PRICE EACH: \$ _____

TOTAL: \$ _____

YEAR, MAKE & MODEL OFFERED:

SPECIFIC MAKE & MODEL OF ENGINE OFFERED (INCLUDE SAE NET HP):

TRANSMISSION OFFERED:

WARRANTY:

WARRANTY SERVICE PROVIDER FACILITY NAME:

WARRANTY SERVICE PROVIDER FACILITY ADDRESS:

DELIVERY WILL BE MADE WITHIN _____ CALENDER DAYS AFTER ISSUANCE OF PURCHASE ORDER.

PRODUCTION CUT-OFF DATE: _____.

INDICATE THE LAST DAY THAT THE CITY CAN PLACE ORDERS UNDER THIS CONTRACT WITHOUT MISSING THE PRODUCTION CUT OFF DATE: _____.

BID PRICES SHALL REMAIN FIRM FOR ALL ORDERS PLACED PRIOR TO THIS CUT OFF DATE. IN THE EVENT THAT CITY DOES NOT AWARD A CONTRACT PRIOR TO PRODUCTION CUT OFF DATE, CAN BIDDER PROVIDE BID ITEMS, AT THE BID PRICE SUBMITTED, AFTER THE PRODUCTION CUT OFF DATE? (YES/NO) _____.

ITEM	QUANTITY	DESCRIPTION
14	1	¾ Ton Extended Cab 4x2/RWD Truck, Gasoline, dark color

PRICE EACH: \$ _____

TOTAL: \$ _____

YEAR, MAKE & MODEL OFFERED:

SPECIFIC MAKE & MODEL OF ENGINE OFFERED (INCLUDE SAE NET HP):

TRANSMISSION OFFERED:

WARRANTY:

WARRANTY SERVICE PROVIDER FACILITY NAME:

WARRANTY SERVICE PROVIDER FACILITY ADDRESS:

DELIVERY WILL BE MADE WITHIN _____ CALENDER DAYS AFTER ISSUANCE OF PURCHASE ORDER.

PRODUCTION CUT-OFF DATE: _____.

INDICATE THE LAST DAY THAT THE CITY CAN PLACE ORDERS UNDER THIS CONTRACT WITHOUT MISSING THE PRODUCTION CUT OFF DATE: _____.

BID PRICES SHALL REMAIN FIRM FOR ALL ORDERS PLACED PRIOR TO THIS CUT OFF DATE. IN THE EVENT THAT CITY DOES NOT AWARD A CONTRACT PRIOR TO PRODUCTION CUT OFF DATE, CAN BIDDER PROVIDE BID ITEMS, AT THE BID PRICE SUBMITTED, AFTER THE PRODUCTION CUT OFF DATE? (YES/NO) _____.

ITEM	QUANTITY	DESCRIPTION
15	1	Medium Duty, Crew Cab, 15ft Stake/Flat Bed Truck

PRICE EACH: \$ _____

TOTAL: \$ _____

YEAR, MAKE & MODEL OFFERED:

SPECIFIC MAKE & MODEL OF ENGINE OFFERED (INCLUDE SAE NET HP):

TRANSMISSION OFFERED:

WARRANTY:

WARRANTY SERVICE PROVIDER FACILITY NAME:

WARRANTY SERVICE PROVIDER FACILITY ADDRESS:

STAKE/FLATBED AND LIFT GATE OFFERED:

STAKE/FLAT BED AND LIFT GATE WARRANTY:

DELIVERY WILL BE MADE WITHIN _____ CALENDER DAYS AFTER ISSUANCE OF PURCHASE ORDER.

PRODUCTION CUT-OFF DATE: _____.

INDICATE THE LAST DAY THAT THE CITY CAN PLACE ORDERS UNDER THIS CONTRACT WITHOUT MISSING THE PRODUCTION CUT OFF DATE: _____.

BID PRICES SHALL REMAIN FIRM FOR ALL ORDERS PLACED PRIOR TO THIS CUT OFF DATE. IN THE EVENT THAT CITY DOES NOT AWARD A CONTRACT PRIOR TO PRODUCTION CUT OFF DATE, CAN BIDDER PROVIDE BID ITEMS, AT THE BID PRICE SUBMITTED, AFTER THE PRODUCTION CUT OFF DATE? (YES/NO) _____.

ITEM	QUANTITY	DESCRIPTION
16	1	1 Ton Truck, Regular Cab, Diesel, 4X4/AWD, Long Bed, SRW

PRICE EACH: \$ _____

TOTAL: \$ _____

YEAR, MAKE & MODEL OFFERED:

SPECIFIC MAKE & MODEL OF ENGINE OFFERED (INCLUDE SAE NET HP):

TRANSMISSION OFFERED:

WARRANTY:

WARRANTY SERVICE PROVIDER FACILITY NAME:

WARRANTY SERVICE PROVIDER FACILITY ADDRESS:

DELIVERY WILL BE MADE WITHIN _____ CALENDER DAYS AFTER ISSUANCE OF PURCHASE ORDER.

PRODUCTION CUT-OFF DATE: _____.

INDICATE THE LAST DAY THAT THE CITY CAN PLACE ORDERS UNDER THIS CONTRACT WITHOUT MISSING THE PRODUCTION CUT OFF DATE: _____.

BID PRICES SHALL REMAIN FIRM FOR ALL ORDERS PLACED PRIOR TO THIS CUT OFF DATE. IN THE EVENT THAT CITY DOES NOT AWARD A CONTRACT PRIOR TO PRODUCTION CUT OFF DATE, CAN BIDDER PROVIDE BID ITEMS, AT THE BID PRICE SUBMITTED, AFTER THE PRODUCTION CUT OFF DATE? (YES/NO) _____.

ITEM	QUANTITY	DESCRIPTION
17	2	1 Ton Truck, Crew Cab, Diesel, 4X4/AWD, Long Bed, SRW

PRICE EACH: \$ _____

TOTAL: \$ _____

YEAR, MAKE & MODEL OFFERED:

SPECIFIC MAKE & MODEL OF ENGINE OFFERED (INCLUDE SAE NET HP):

TRANSMISSION OFFERED:

WARRANTY:

WARRANTY SERVICE PROVIDER FACILITY NAME:

WARRANTY SERVICE PROVIDER FACILITY ADDRESS:

DELIVERY WILL BE MADE WITHIN _____ CALENDER DAYS AFTER ISSUANCE OF PURCHASE ORDER.

PRODUCTION CUT-OFF DATE: _____.

INDICATE THE LAST DAY THAT THE CITY CAN PLACE ORDERS UNDER THIS CONTRACT WITHOUT MISSING THE PRODUCTION CUT OFF DATE: _____.

BID PRICES SHALL REMAIN FIRM FOR ALL ORDERS PLACED PRIOR TO THIS CUT OFF DATE. IN THE EVENT THAT CITY DOES NOT AWARD A CONTRACT PRIOR TO PRODUCTION CUT OFF DATE, CAN BIDDER PROVIDE BID ITEMS, AT THE BID PRICE SUBMITTED, AFTER THE PRODUCTION CUT OFF DATE? (YES/NO) _____.

ITEM	QUANTITY	DESCRIPTION
18	1	1 Ton Truck, Crew Cab, Diesel, 4X2/RWD, Long Bed, DRW

PRICE EACH: \$ _____

TOTAL: \$ _____

YEAR, MAKE & MODEL OFFERED:

SPECIFIC MAKE & MODEL OF ENGINE OFFERED (INCLUDE SAE NET HP):

TRANSMISSION OFFERED:

WARRANTY:

WARRANTY SERVICE PROVIDER FACILITY NAME:

WARRANTY SERVICE PROVIDER FACILITY ADDRESS:

MAKE & MODEL OF TOOLBOX OFFERED:

DELIVERY WILL BE MADE WITHIN _____ CALENDER DAYS AFTER ISSUANCE OF PURCHASE ORDER.

PRODUCTION CUT-OFF DATE: _____.

INDICATE THE LAST DAY THAT THE CITY CAN PLACE ORDERS UNDER THIS CONTRACT WITHOUT MISSING THE PRODUCTION CUT OFF DATE: _____.

BID PRICES SHALL REMAIN FIRM FOR ALL ORDERS PLACED PRIOR TO THIS CUT OFF DATE. IN THE EVENT THAT CITY DOES NOT AWARD A CONTRACT PRIOR TO PRODUCTION CUT OFF DATE, CAN BIDDER PROVIDE BID ITEMS, AT THE BID PRICE SUBMITTED, AFTER THE PRODUCTION CUT OFF DATE? (YES/NO) _____.

ITEM	QUANTITY	DESCRIPTION
19	1	1 Ton Truck, Regular Cab, Diesel, DRW

PRICE EACH: \$ _____

TOTAL: \$ _____

YEAR, MAKE & MODEL OFFERED:

SPECIFIC MAKE & MODEL OF ENGINE OFFERED (INCLUDE SAE NET HP):

TRANSMISSION OFFERED:

WARRANTY:

WARRANTY SERVICE PROVIDER FACILITY NAME:

WARRANTY SERVICE PROVIDER FACILITY ADDRESS:

MAKE & MODEL OF TOOLBOX OFFERED:

DELIVERY WILL BE MADE WITHIN _____ CALENDER DAYS AFTER ISSUANCE OF PURCHASE ORDER.

PRODUCTION CUT-OFF DATE: _____.

INDICATE THE LAST DAY THAT THE CITY CAN PLACE ORDERS UNDER THIS CONTRACT WITHOUT MISSING THE PRODUCTION CUT OFF DATE: _____.

BID PRICES SHALL REMAIN FIRM FOR ALL ORDERS PLACED PRIOR TO THIS CUT OFF DATE. IN THE EVENT THAT CITY DOES NOT AWARD A CONTRACT PRIOR TO PRODUCTION CUT OFF DATE, CAN BIDDER PROVIDE BID ITEMS, AT THE BID PRICE SUBMITTED, AFTER THE PRODUCTION CUT OFF DATE? (YES/NO) _____.

ITEM	QUANTITY	DESCRIPTION
20	1	¾ Ton Diesel Pick Up Dump Bed Insert w/Crane

PRICE EACH: \$ _____

TOTAL: \$ _____

YEAR, MAKE & MODEL OFFERED:

SPECIFIC MAKE & MODEL OF ENGINE OFFERED (INCLUDE SAE NET HP):

TRANSMISSION OFFERED:

WARRANTY:

WARRANTY SERVICE PROVIDER FACILITY NAME:

WARRANTY SERVICE PROVIDER FACILITY ADDRESS:

DUMP INSERT & COVER AND FOLD-AWAY BUMPER CRANE OFFERED:

DUMP INSERT & COVER AND FOLD-AWAY BUMPER CRANE WARRANTY:

DELIVERY WILL BE MADE WITHIN _____ CALENDER DAYS AFTER ISSUANCE OF PURCHASE ORDER.

PRODUCTION CUT-OFF DATE: _____.

INDICATE THE LAST DAY THAT THE CITY CAN PLACE ORDERS UNDER THIS CONTRACT WITHOUT MISSING THE PRODUCTION CUT OFF DATE: _____.

BID PRICES SHALL REMAIN FIRM FOR ALL ORDERS PLACED PRIOR TO THIS CUT OFF DATE. IN THE EVENT THAT CITY DOES NOT AWARD A CONTRACT PRIOR TO PRODUCTION CUT OFF DATE, CAN BIDDER PROVIDE BID ITEMS, AT THE BID PRICE SUBMITTED, AFTER THE PRODUCTION CUT OFF DATE? (YES/NO) _____.

ITEM	QUANTITY	DESCRIPTION
21	1	1 Ton Truck, Crew Cab, Diesel, 4x2/RWD, Custom Flat Bed, DWR

PRICE EACH: \$ _____

TOTAL: \$ _____

YEAR, MAKE & MODEL OFFERED:

SPECIFIC MAKE & MODEL OF ENGINE OFFERED (INCLUDE SAE NET HP):

TRANSMISSION OFFERED:

WARRANTY:

WARRANTY SERVICE PROVIDER FACILITY NAME:

WARRANTY SERVICE PROVIDER FACILITY ADDRESS:

LIFT GATE OFFERED:

LIFT GATE WARRANTY:

DELIVERY WILL BE MADE WITHIN _____ CALENDER DAYS AFTER ISSUANCE OF PURCHASE ORDER.

PRODUCTION CUT-OFF DATE: _____.

INDICATE THE LAST DAY THAT THE CITY CAN PLACE ORDERS UNDER THIS CONTRACT WITHOUT MISSING THE PRODUCTION CUT OFF DATE: _____.

BID PRICES SHALL REMAIN FIRM FOR ALL ORDERS PLACED PRIOR TO THIS CUT OFF DATE. IN THE EVENT THAT CITY DOES NOT AWARD A CONTRACT PRIOR TO PRODUCTION CUT OFF DATE, CAN BIDDER PROVIDE BID ITEMS, AT THE BID PRICE SUBMITTED, AFTER THE PRODUCTION CUT OFF DATE? (YES/NO) _____.

ITEM	QUANTITY	DESCRIPTION
22	1	1 Ton Single Cab Pick Up, Long Bed, with Refuse Insert (Turnkey Unit)

PRICE EACH: \$ _____

TOTAL: \$ _____

YEAR, MAKE & MODEL OFFERED:

SPECIFIC MAKE & MODEL OF ENGINE OFFERED (INCLUDE SAE NET HP):

TRANSMISSION OFFERED:

WARRANTY:

WARRANTY SERVICE PROVIDER FACILITY NAME:

WARRANTY SERVICE PROVIDER FACILITY ADDRESS:

REFUSE INSERT OFFERED:

REFUSE INSERT WARRANTY:

DELIVERY WILL BE MADE WITHIN _____ CALENDER DAYS AFTER ISSUANCE OF PURCHASE ORDER.

PRODUCTION CUT-OFF DATE: _____.

INDICATE THE LAST DAY THAT THE CITY CAN PLACE ORDERS UNDER THIS CONTRACT WITHOUT MISSING THE PRODUCTION CUT OFF DATE: _____.

BID PRICES SHALL REMAIN FIRM FOR ALL ORDERS PLACED PRIOR TO THIS CUT OFF DATE. IN THE EVENT THAT CITY DOES NOT AWARD A CONTRACT PRIOR TO PRODUCTION CUT OFF DATE, CAN BIDDER PROVIDE BID ITEMS, AT THE BID PRICE SUBMITTED, AFTER THE PRODUCTION CUT OFF DATE? (YES/NO) _____.

ITEM	QUANTITY	DESCRIPTION
23	2	1 Ton Regular Cab Truck, Diesel - DRW with Traffic Utility Storage

PRICE EACH: \$ _____

TOTAL: \$ _____

YEAR, MAKE & MODEL OFFERED:

SPECIFIC MAKE & MODEL OF ENGINE OFFERED (INCLUDE SAE NET HP):

TRANSMISSION OFFERED:

WARRANTY:

WARRANTY SERVICE PROVIDER FACILITY NAME:

WARRANTY SERVICE PROVIDER FACILITY ADDRESS:

FRONT BUMPER POLE PULL AND TRAFFIC UTILITY BED OFFERED:

FRONT BUMPER POLE PULL AND TRAFFIC UTILITY BED WARRANTY:

DELIVERY WILL BE MADE WITHIN _____ CALENDER DAYS AFTER ISSUANCE OF PURCHASE ORDER.

PRODUCTION CUT-OFF DATE: _____.

INDICATE THE LAST DAY THAT THE CITY CAN PLACE ORDERS UNDER THIS CONTRACT WITHOUT MISSING THE PRODUCTION CUT OFF DATE: _____.

BID PRICES SHALL REMAIN FIRM FOR ALL ORDERS PLACED PRIOR TO THIS CUT OFF DATE. IN THE EVENT THAT CITY DOES NOT AWARD A CONTRACT PRIOR TO PRODUCTION CUT OFF DATE, CAN BIDDER PROVIDE BID ITEMS, AT THE BID PRICE SUBMITTED, AFTER THE PRODUCTION CUT OFF DATE? (YES/NO) _____.

ITEM	QUANTITY	DESCRIPTION
24	1	¾ Ton Regular Cab, Flatbed, with Vector Control Attachments

PRICE EACH: \$ _____

TOTAL: \$ _____

YEAR, MAKE & MODEL OFFERED:

SPECIFIC MAKE & MODEL OF ENGINE OFFERED (INCLUDE SAE NET HP):

TRANSMISSION OFFERED:

WARRANTY:

WARRANTY SERVICE PROVIDER FACILITY NAME:

WARRANTY SERVICE PROVIDER FACILITY ADDRESS:

MAKE & MODEL SPRAYER SYSTEM OFFERED:

SPRAYER SYSTEM WARRANTY:

DELIVERY WILL BE MADE WITHIN _____ CALENDER DAYS AFTER ISSUANCE OF PURCHASE ORDER.

PRODUCTION CUT-OFF DATE: _____

INDICATE THE LAST DAY THAT THE CITY CAN PLACE ORDERS UNDER THIS CONTRACT WITHOUT MISSING THE PRODUCTION CUT OFF DATE: _____

BID PRICES SHALL REMAIN FIRM FOR ALL ORDERS PLACED PRIOR TO THIS CUT OFF DATE. IN THE EVENT THAT CITY DOES NOT AWARD A CONTRACT PRIOR TO PRODUCTION CUT OFF DATE, CAN BIDDER PROVIDE BID ITEMS, AT THE BID PRICE SUBMITTED, AFTER THE PRODUCTION CUT OFF DATE? (YES/NO) _____

ITEM	QUANTITY	DESCRIPTION
25	3	¾ Ton Regular Cab Utility Service Truck w/ Tow Hitch

PRICE EACH: \$ _____

TOTAL: \$ _____

YEAR, MAKE & MODEL OFFERED:

SPECIFIC MAKE & MODEL OF ENGINE OFFERED (INCLUDE SAE NET HP):

TRANSMISSION OFFERED:

WARRANTY:

WARRANTY SERVICE PROVIDER FACILITY NAME:

WARRANTY SERVICE PROVIDER FACILITY ADDRESS:

MAKE & MODEL OF UTILITY BODY OFFERED:

UTILITY BODY WARRANTY:

DELIVERY WILL BE MADE WITHIN _____ CALENDER DAYS AFTER ISSUANCE OF PURCHASE ORDER.

PRODUCTION CUT-OFF DATE: _____.

INDICATE THE LAST DAY THAT THE CITY CAN PLACE ORDERS UNDER THIS CONTRACT WITHOUT MISSING THE PRODUCTION CUT OFF DATE: _____.

BID PRICES SHALL REMAIN FIRM FOR ALL ORDERS PLACED PRIOR TO THIS CUT OFF DATE. IN THE EVENT THAT CITY DOES NOT AWARD A CONTRACT PRIOR TO PRODUCTION CUT OFF DATE, CAN BIDDER PROVIDE BID ITEMS, AT THE BID PRICE SUBMITTED, AFTER THE PRODUCTION CUT OFF DATE? (YES/NO) _____.

ITEM	QUANTITY	DESCRIPTION
26	1	Crew Cab 4x2 Custom Bed Truck – Dual Rear Wheel (DRW)

PRICE EACH: \$ _____

TOTAL: \$ _____

YEAR, MAKE & MODEL OFFERED:

SPECIFIC MAKE & MODEL OF ENGINE OFFERED (INCLUDE SAE NET HP):

TRANSMISSION OFFERED:

WARRANTY:

WARRANTY SERVICE PROVIDER FACILITY NAME:

WARRANTY SERVICE PROVIDER FACILITY ADDRESS:

MAKE & MODEL OF UTILITY BODY OFFERED:

UTILITY BODY WARRANTY:

DELIVERY WILL BE MADE WITHIN _____ CALENDER DAYS AFTER ISSUANCE OF PURCHASE ORDER.

PRODUCTION CUT-OFF DATE: _____

INDICATE THE LAST DAY THAT THE CITY CAN PLACE ORDERS UNDER THIS CONTRACT WITHOUT MISSING THE PRODUCTION CUT OFF DATE: _____

BID PRICES SHALL REMAIN FIRM FOR ALL ORDERS PLACED PRIOR TO THIS CUT OFF DATE. IN THE EVENT THAT CITY DOES NOT AWARD A CONTRACT PRIOR TO PRODUCTION CUT OFF DATE, CAN BIDDER PROVIDE BID ITEMS, AT THE BID PRICE SUBMITTED, AFTER THE PRODUCTION CUT OFF DATE? (YES/NO) _____

ITEM	QUANTITY	DESCRIPTION
27	1	1 Ton 4 Door Cab 4x2 Stake Bed Truck – Dual Rear Wheels

PRICE EACH: \$ _____

TOTAL: \$ _____

YEAR, MAKE & MODEL OFFERED:

SPECIFIC MAKE & MODEL OF ENGINE OFFERED (INCLUDE SAE NET HP):

TRANSMISSION OFFERED:

WARRANTY:

WARRANTY SERVICE PROVIDER FACILITY NAME:

WARRANTY SERVICE PROVIDER FACILITY ADDRESS:

STAKE BED AND LIFT GATE OFFERED:

STAKE BED AND LIFT GATE WARRANTY:

DELIVERY WILL BE MADE WITHIN _____ CALENDER DAYS AFTER ISSUANCE OF PURCHASE ORDER.

PRODUCTION CUT-OFF DATE: _____.

INDICATE THE LAST DAY THAT THE CITY CAN PLACE ORDERS UNDER THIS CONTRACT WITHOUT MISSING THE PRODUCTION CUT OFF DATE: _____.

BID PRICES SHALL REMAIN FIRM FOR ALL ORDERS PLACED PRIOR TO THIS CUT OFF DATE. IN THE EVENT THAT CITY DOES NOT AWARD A CONTRACT PRIOR TO PRODUCTION CUT OFF DATE, CAN BIDDER PROVIDE BID ITEMS, AT THE BID PRICE SUBMITTED, AFTER THE PRODUCTION CUT OFF DATE? (YES/NO) _____.

ITEM	QUANTITY	DESCRIPTION
28	1	Class 4 14,001-16,000 GVW Cabover 14' Box Truck

PRICE EACH: \$ _____

TOTAL: \$ _____

YEAR, MAKE & MODEL OFFERED:

SPECIFIC MAKE & MODEL OF ENGINE OFFERED (INCLUDE SAE NET HP):

TRANSMISSION OFFERED:

WARRANTY:

WARRANTY SERVICE PROVIDER FACILITY NAME:

WARRANTY SERVICE PROVIDER FACILITY ADDRESS:

TRUCK BOX OFFERED:

TRUCK BOX WARRANTY:

DELIVERY WILL BE MADE WITHIN _____ CALENDER DAYS AFTER ISSUANCE OF PURCHASE ORDER.

PRODUCTION CUT-OFF DATE: _____.

INDICATE THE LAST DAY THAT THE CITY CAN PLACE ORDERS UNDER THIS CONTRACT WITHOUT MISSING THE PRODUCTION CUT OFF DATE: _____.

BID PRICES SHALL REMAIN FIRM FOR ALL ORDERS PLACED PRIOR TO THIS CUT OFF DATE. IN THE EVENT THAT CITY DOES NOT AWARD A CONTRACT PRIOR TO PRODUCTION CUT OFF DATE, CAN BIDDER PROVIDE BID ITEMS, AT THE BID PRICE SUBMITTED, AFTER THE PRODUCTION CUT OFF DATE? (YES/NO) _____.

ITEM	QUANTITY	DESCRIPTION
29	1	Medium Duty, Regular Cab, 16.5ft Stake/Flat Bed Truck

PRICE EACH: \$ _____

TOTAL: \$ _____

YEAR, MAKE & MODEL OFFERED:

SPECIFIC MAKE & MODEL OF ENGINE OFFERED (INCLUDE SAE NET HP):

TRANSMISSION OFFERED:

WARRANTY:

WARRANTY SERVICE PROVIDER FACILITY NAME:

WARRANTY SERVICE PROVIDER FACILITY ADDRESS:

STAKE/FLATBED AND LIFT GATE OFFERED:

STAKE/FLAT BED AND LIFT GATE WARRANTY:

DELIVERY WILL BE MADE WITHIN _____ CALENDER DAYS AFTER ISSUANCE OF PURCHASE ORDER.

PRODUCTION CUT-OFF DATE: _____

INDICATE THE LAST DAY THAT THE CITY CAN PLACE ORDERS UNDER THIS CONTRACT WITHOUT MISSING THE PRODUCTION CUT OFF DATE: _____

BID PRICES SHALL REMAIN FIRM FOR ALL ORDERS PLACED PRIOR TO THIS CUT OFF DATE. IN THE EVENT THAT CITY DOES NOT AWARD A CONTRACT PRIOR TO PRODUCTION CUT OFF DATE, CAN BIDDER PROVIDE BID ITEMS, AT THE BID PRICE SUBMITTED, AFTER THE PRODUCTION CUT OFF DATE? (YES/NO) _____

ITEM	QUANTITY	DESCRIPTION
30	1	1 Ton Truck, Crew Cab, DRW, 2-3 Cubic Yard, 9' Dump Body

PRICE EACH: \$ _____

TOTAL: \$ _____

YEAR, MAKE & MODEL OFFERED:

SPECIFIC MAKE & MODEL OF ENGINE OFFERED (INCLUDE SAE NET HP):

TRANSMISSION OFFERED:

WARRANTY:

WARRANTY SERVICE PROVIDER FACILITY NAME:

WARRANTY SERVICE PROVIDER FACILITY ADDRESS:

MAKE AND MODEL OF DUMP BODY OFFERED:

DUMP BODY WARRANTY:

DELIVERY WILL BE MADE WITHIN _____ CALENDER DAYS AFTER ISSUANCE OF PURCHASE ORDER.

PRODUCTION CUT-OFF DATE: _____.

INDICATE THE LAST DAY THAT THE CITY CAN PLACE ORDERS UNDER THIS CONTRACT WITHOUT MISSING THE PRODUCTION CUT OFF DATE: _____.

BID PRICES SHALL REMAIN FIRM FOR ALL ORDERS PLACED PRIOR TO THIS CUT OFF DATE. IN THE EVENT THAT CITY DOES NOT AWARD A CONTRACT PRIOR TO PRODUCTION CUT OFF DATE, CAN BIDDER PROVIDE BID ITEMS, AT THE BID PRICE SUBMITTED, AFTER THE PRODUCTION CUT OFF DATE? (YES/NO) _____.

ITEM	QUANTITY	DESCRIPTION
31	1	¾ Ton, Crew Cab, SRW, AWD, Long Bed Truck w/ Camper

PRICE EACH: \$ _____

TOTAL: \$ _____

YEAR, MAKE & MODEL OFFERED:

SPECIFIC MAKE & MODEL OF ENGINE OFFERED (INCLUDE SAE NET HP):

TRANSMISSION OFFERED:

WARRANTY:

WARRANTY SERVICE PROVIDER FACILITY NAME:

WARRANTY SERVICE PROVIDER FACILITY ADDRESS:

CAMPER SHELL OFFERED:

DELIVERY WILL BE MADE WITHIN _____ CALENDER DAYS AFTER ISSUANCE OF PURCHASE ORDER.

PRODUCTION CUT-OFF DATE: _____.

INDICATE THE LAST DAY THAT THE CITY CAN PLACE ORDERS UNDER THIS CONTRACT WITHOUT MISSING THE PRODUCTION CUT OFF DATE: _____.

BID PRICES SHALL REMAIN FIRM FOR ALL ORDERS PLACED PRIOR TO THIS CUT OFF DATE. IN THE EVENT THAT CITY DOES NOT AWARD A CONTRACT PRIOR TO PRODUCTION CUT OFF DATE, CAN BIDDER PROVIDE BID ITEMS, AT THE BID PRICE SUBMITTED, AFTER THE PRODUCTION CUT OFF DATE? (YES/NO) _____.

ITEM	QUANTITY	DESCRIPTION
32	1	¾ Ton Crew Cab Utility Service Truck w/ Tow Hitch, Yellow

PRICE EACH: \$ _____

TOTAL: \$ _____

YEAR, MAKE & MODEL OFFERED:

SPECIFIC MAKE & MODEL OF ENGINE OFFERED (INCLUDE SAE NET HP):

TRANSMISSION OFFERED:

WARRANTY:

WARRANTY SERVICE PROVIDER FACILITY NAME:

WARRANTY SERVICE PROVIDER FACILITY ADDRESS:

UTILITY BODY OFFERED:

UTILITY BODY WARRANTY:

DELIVERY WILL BE MADE WITHIN _____ CALENDER DAYS AFTER ISSUANCE OF PURCHASE ORDER.

PRODUCTION CUT-OFF DATE: _____.

INDICATE THE LAST DAY THAT THE CITY CAN PLACE ORDERS UNDER THIS CONTRACT WITHOUT MISSING THE PRODUCTION CUT OFF DATE: _____.

BID PRICES SHALL REMAIN FIRM FOR ALL ORDERS PLACED PRIOR TO THIS CUT OFF DATE. IN THE EVENT THAT CITY DOES NOT AWARD A CONTRACT PRIOR TO PRODUCTION CUT OFF DATE, CAN BIDDER PROVIDE BID ITEMS, AT THE BID PRICE SUBMITTED, AFTER THE PRODUCTION CUT OFF DATE? (YES/NO) _____.

ITEM	QUANTITY	DESCRIPTION
33	3	3/4 Ton Truck, Crew Cab, 4X2/RWD, Long Bed, SRW, Yellow

PRICE EACH: \$ _____

TOTAL: \$ _____

YEAR, MAKE & MODEL OFFERED:

SPECIFIC MAKE & MODEL OF ENGINE OFFERED (INCLUDE SAE NET HP):

TRANSMISSION OFFERED:

WARRANTY:

WARRANTY SERVICE PROVIDER FACILITY NAME:

WARRANTY SERVICE PROVIDER FACILITY ADDRESS:

DELIVERY WILL BE MADE WITHIN _____ CALENDER DAYS AFTER ISSUANCE OF PURCHASE ORDER.

PRODUCTION CUT-OFF DATE: _____.

INDICATE THE LAST DAY THAT THE CITY CAN PLACE ORDERS UNDER THIS CONTRACT WITHOUT MISSING THE PRODUCTION CUT OFF DATE: _____.

BID PRICES SHALL REMAIN FIRM FOR ALL ORDERS PLACED PRIOR TO THIS CUT OFF DATE. IN THE EVENT THAT CITY DOES NOT AWARD A CONTRACT PRIOR TO PRODUCTION CUT OFF DATE, CAN BIDDER PROVIDE BID ITEMS, AT THE BID PRICE SUBMITTED, AFTER THE PRODUCTION CUT OFF DATE? (YES/NO) _____.

ITEM	QUANTITY	DESCRIPTION
34	1	½ Ton Extended Cab 4x2/RWD Truck, Yellow

PRICE EACH: \$ _____

TOTAL: \$ _____

YEAR, MAKE & MODEL OFFERED:

SPECIFIC MAKE & MODEL OF ENGINE OFFERED (INCLUDE SAE NET HP):

TRANSMISSION OFFERED:

WARRANTY:

WARRANTY SERVICE PROVIDER FACILITY NAME:

WARRANTY SERVICE PROVIDER FACILITY ADDRESS:

DELIVERY WILL BE MADE WITHIN _____ CALENDER DAYS AFTER ISSUANCE OF PURCHASE ORDER.

PRODUCTION CUT-OFF DATE: _____.

INDICATE THE LAST DAY THAT THE CITY CAN PLACE ORDERS UNDER THIS CONTRACT WITHOUT MISSING THE PRODUCTION CUT OFF DATE: _____.

BID PRICES SHALL REMAIN FIRM FOR ALL ORDERS PLACED PRIOR TO THIS CUT OFF DATE. IN THE EVENT THAT CITY DOES NOT AWARD A CONTRACT PRIOR TO PRODUCTION CUT OFF DATE, CAN BIDDER PROVIDE BID ITEMS, AT THE BID PRICE SUBMITTED, AFTER THE PRODUCTION CUT OFF DATE? (YES/NO) _____.

ITEM	QUANTITY	DESCRIPTION
35	1	¾ Ton Crew Cab Truck 4x4/AWD Long Bed, Lift Gate, Brush Guard

PRICE EACH: \$ _____

TOTAL: \$ _____

YEAR, MAKE & MODEL OFFERED:

SPECIFIC MAKE & MODEL OF ENGINE OFFERED (INCLUDE SAE NET HP):

TRANSMISSION OFFERED:

WARRANTY:

WARRANTY SERVICE PROVIDER FACILITY NAME:

WARRANTY SERVICE PROVIDER FACILITY ADDRESS:

LIFT GATE OFFERED:

LIFT GATE WARRANTY:

DELIVERY WILL BE MADE WITHIN _____ CALENDER DAYS AFTER ISSUANCE OF PURCHASE ORDER.

PRODUCTION CUT-OFF DATE: _____.

INDICATE THE LAST DAY THAT THE CITY CAN PLACE ORDERS UNDER THIS CONTRACT WITHOUT MISSING THE PRODUCTION CUT OFF DATE: _____.

BID PRICES SHALL REMAIN FIRM FOR ALL ORDERS PLACED PRIOR TO THIS CUT OFF DATE. IN THE EVENT THAT CITY DOES NOT AWARD A CONTRACT PRIOR TO PRODUCTION CUT OFF DATE, CAN BIDDER PROVIDE BID ITEMS, AT THE BID PRICE SUBMITTED, AFTER THE PRODUCTION CUT OFF DATE? (YES/NO) _____.

PROMPT PAYMENT DISCOUNT: _____% _____ DAYS. (IF NO DISCOUNT IS OFFERED, NET 30 WILL APPLY.)